

1. MATERIAL :
  - 1-1. HOUSING : PBT UL94V-0 ; COLOR : BLACK.
  - 1-2. CONTACT : BRASS.
  - 1-3. PLASTIC COVER : ABS ; COLOR : SEE TABLE A
  - 1-4. PLASIC TUBE : ABS OR PC ; COLOR : SEE TABLE A
  - 1-5. POM RING : POM ; COLOR : BLACK.
  - 1-6. SR : PVC ; COLOR : SEE TABLE A.
  - 1-7. SPRING : CARBPN STEEL OR STAINLESS STEEL
  - 1-8. METAL CAP : BRASS
  - 1-9. MATEL SHELL: BRASS
2. FINISH :
  - 2-1. CONTACT : 50 MICRO INCHES MIN. SILVER PLATED
  - 2-4. SPRING : NICKEL PLATED 60u" ~ 100u" OVER ALL.
  - 2-4. METAL CAP : NICKEL PLATED 60u" ~ 100u" OVER ALL.
  - 2-4. MATEL SHELL : NICKEL PLATED 60u" ~ 100u" OVER ALL.
3. ELETRICAL SPECICATION :
  - 3-1. RATED CURRENT : 4PIN: 7.5A/DC MAX  
3PIN: PIN1 & PIN2 7.5A/DC ; PIN3 1A/DC
  - 3-2. VOLTAGE : 20V/DC MAX
4. ENVIRONMENTAL :
  - 4-1. OPERATION TEMPERATURE : -20 ℃~85℃.

RoHS Compliant

TOLERANCES ARE

**MORETHANALL**  
PCB CONNECTORS  
Cable ASSEMBLIES

煜倫股份有限公司

www.morethanall.com

DRAWING BY CY

CHECKED BY GENIUS

UNIT / mm

SCALE 1:1

DATE

SIZE A4

X.±  
.X±0.25  
.XX±0.15  
.XXX±0.10  
ANG ±1°

P PROJECTION

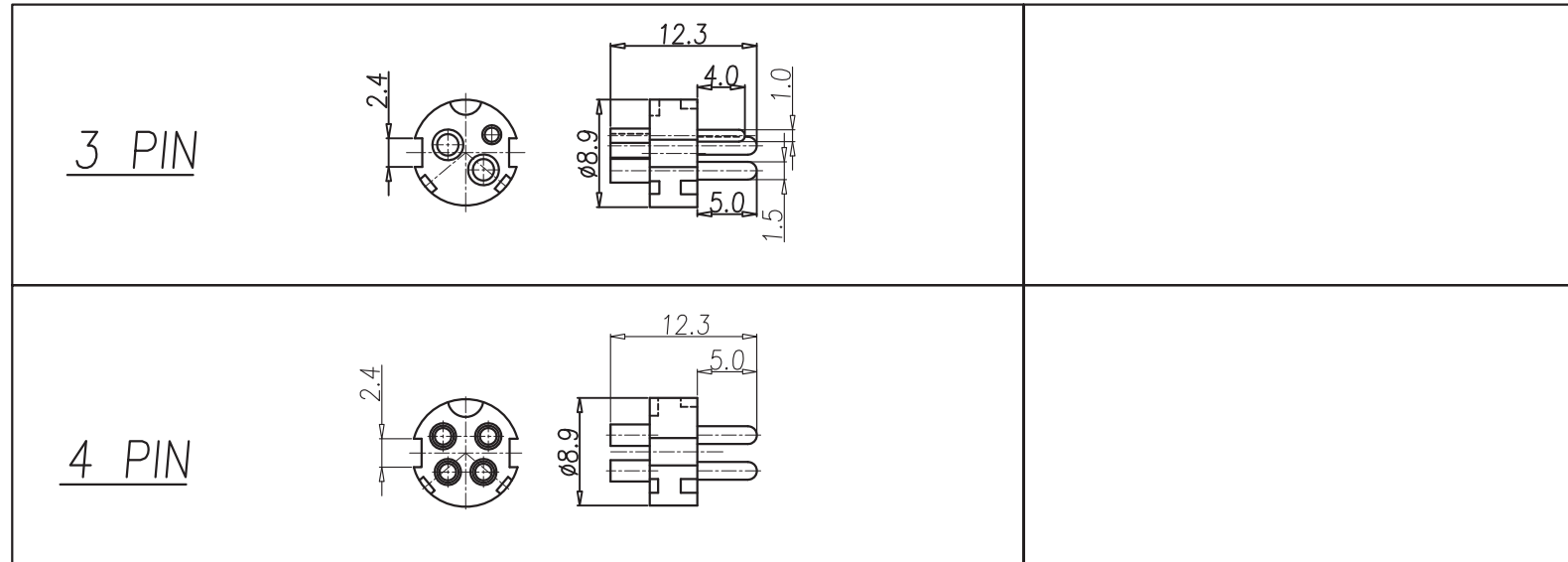


ORDER INFORMATION

MDP-PA-xx-LF  
SERIES | LEADFREE  
03.04.06.08WAY  
ASSEMBLY  
MALE

DESCRIPTION: PowerDin 類式

TYPE 1



HOUSING & CONTACT ASSEMBLY.

RoHS Compliant

TOLERANCES ARE

**MORETHANALL**  
PCB CONNECTORS  
Cable ASSEMBLIES

煜倫股份有限公司

www.morethanall.com

DRAWING BY CY

CHECKED BY GENIUS

UNIT / mm

SCALE 1:1

DATE

SIZE A4

PPOJECTION 

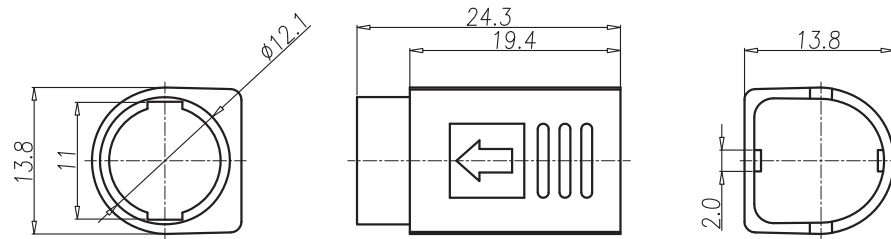
X ±  
.X ± 0.25  
.XX ± 0.15  
.XXX ± 0.10  
ANG ±



ORDER INFORMATION

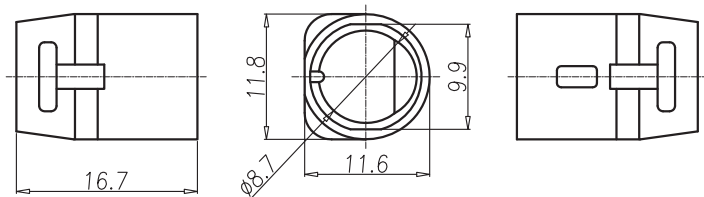
MDP-PA-xx-LF  
SERIES | T | LEADFREE  
03.04.06.08WAY  
ASSEMBLY  
MALE

DESCRIPTION:

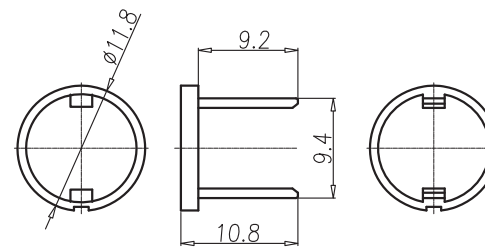


TYPE 1:單箭頭

PLASTIC COVER



PLASTIC TUBE



POM RING

**MORETHANALL**  
PCB CONNECTORS  
Cable ASSEMBLIES

煜倫股份有限公司

www.morethanall.com

RoHS Compliant

DRAWING BY CY

CHECKED BY GENIUS

UNIT / mm SCALE 1:1

DATE

SIZE A4

TOLERANCES ARE

X. ±  
.X ± 0.25  
.XX ± 0.15  
.XXX ± 0.10  
ANG ±

PPOJECTION

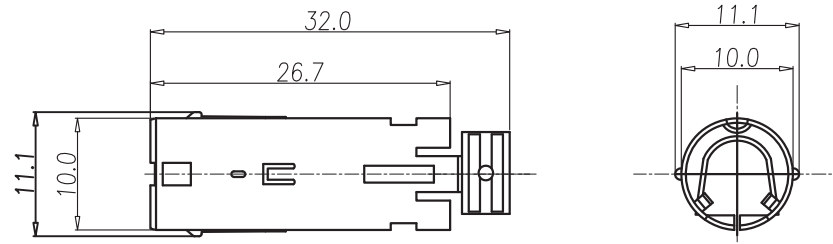


ORDER INFORMATION

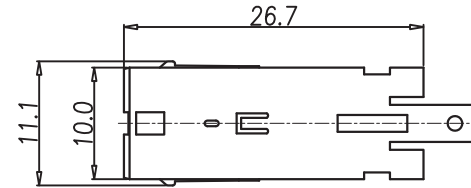
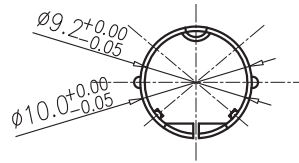
MDP-PA-xx-LF  
SERIES | LEADFREE  
03.04.06.08WAY  
ASSEMBLY  
MALE

DESCRIPTION:

TYPE 1:一件式(銅管+線扣)

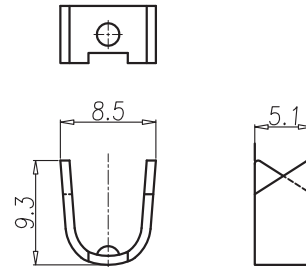


銅管



TYPE 2:二件式

線扣



MATEL SHELL

**MORETHANALL**  
PCB CONNECTORS  
Cable ASSEMBLIES

煜倫股份有限公司

www.morethanall.com

RoHS Compliant

DRAWING BY CY

CHECKED BY GENIUS

UNIT / mm

SCALE 1:1

DATE

SIZE A4

TOLERANCES ARE

X. ±  
.X ± 0.25  
.XX ± 0.15  
.XXX ± 0.10  
ANG ±

PPOJECTION

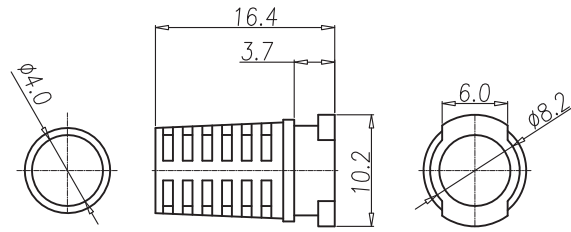


ORDER INFORMATION

MDP-PA-xx-LF  
SERIES | LEADFREE  
03.04.06.08WAY  
ASSEMBLY  
MALE

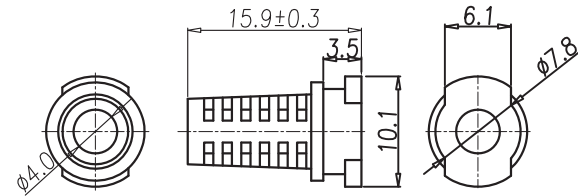
DESCRIPTION:

SR



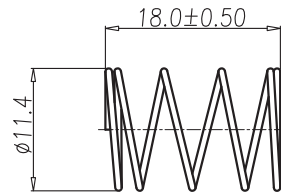
TYPE 1:

OD:  $\phi 4.0$

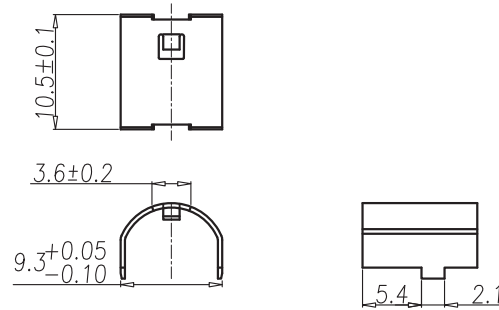


TYPE 2 :OD:  $\phi 4.0$

SPRING



MATEL CAP



**MORETHANALL**  
PCB CONNECTORS  
Cable ASSEMBLIES

煜倫股份有限公司

www.morethanall.com

RoHS Compliant

DRAWING BY CY

CHECKED BY GENIUS

UNIT / mm

SCALE 1 : 1

DATE

SIZE A4

TOLERANCES ARE

X,  $\pm$   
.X  $\pm$  0.25  
.XX  $\pm$  0.15  
.XXX  $\pm$  0.10  
ANG  $\pm$

PPOJECTION



ORDER INFORMATION

MDP-PA-xx-LF  
SERIES | LEADFREE  
03.04.06.08WAY  
ASSEMBLY  
MALE

DESCRIPTION: