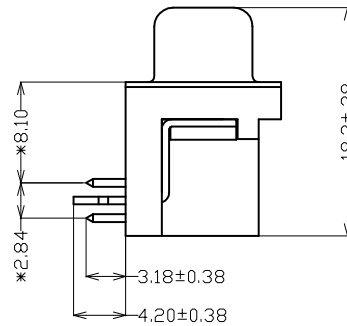
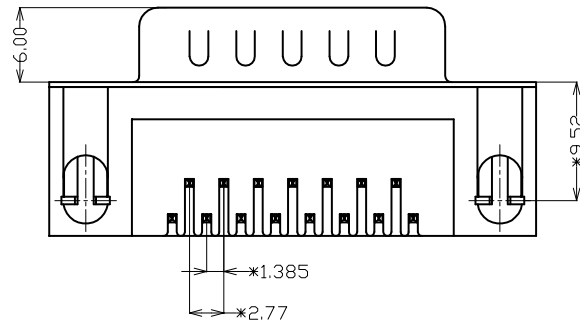
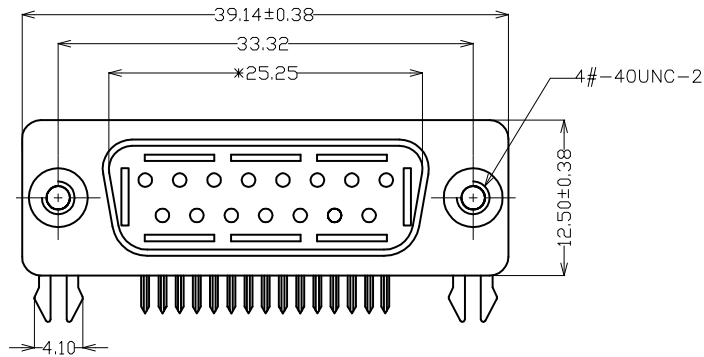


TOP VIEW
PCB LAYOUT(TOLANCE±0.05)



NOTES:

1.MATERIAL

- 1.1 Insulator: PBT+30%Glass Fiber (UL94V-0)
- 1.2 Contact: Brass
- 1.3 Contact Plated: Gold/Tin Plated
- 1.4 Shell: Nickel Plated

2.SPECIFICATION

- 2.1 Current Rate: 5 Amps
- 2.2 Insulator Resistance: 1000MΩ Min. at 500V DC
- 2.3 Dielectric Strength: 1000V Per minute
- 2.4 Operation Temperature: -55℃ to+105℃

PART NO:	PLATING
DR-PSNH-15	Gold/ Tin Plated

RoHS Compliant

TOLERANCES ARE

MORETHANALL
PCB CONNECTORS
Cable ASSEMBLIES

煜倫股份有限公司

www.morethanall.com

DRAWING BY CY

CHECKED BY GENIUS

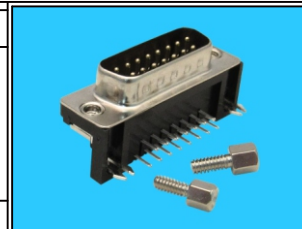
UNIT / mm SCALE 1 : 1

DATE

SIZE A4

X, ±
.X ± 0.50
.XX ± 0.30
.XXX ± 0.15
ANG ±

P PROJECTION



ORDER INFORMATION

DR-PSNH-15-LF
SERIES | LEADFREE
| 15 WAY
| HEX SCREW
| NUT
| SEMI GOLD
MALE

DESCRIPTION: DR15公鉗附半金黑 8.1 RoHS