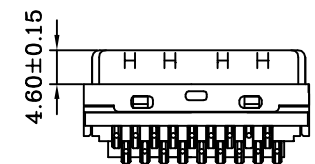
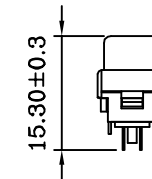
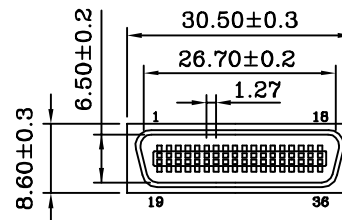
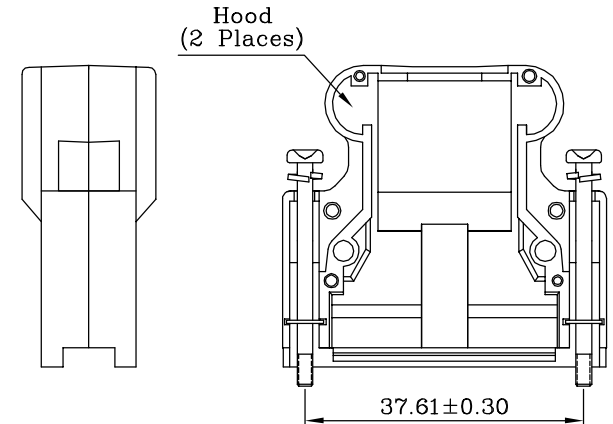
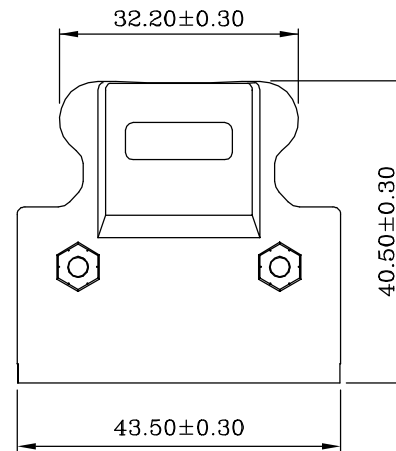
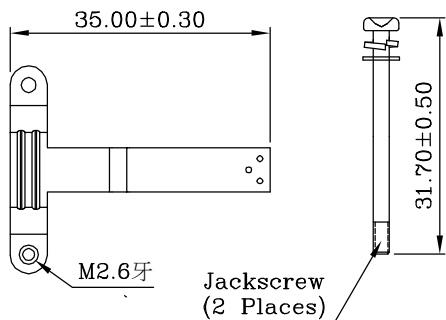
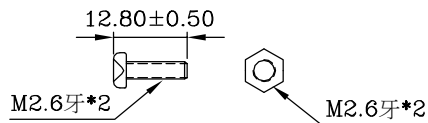
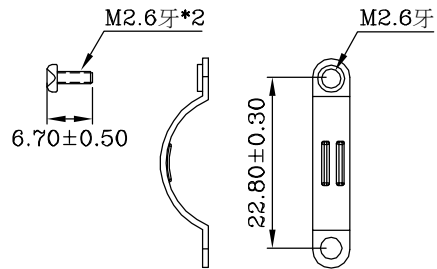
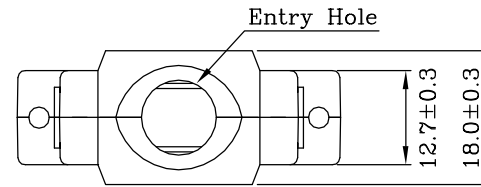


• MATERIALS:(RoHS Compliant)

- Hood: Plastic Thermoplastic PBT UL 94V-0
- Latch & Hood: Plastic Thermoplastic PBT UL 94V-0
- Latch: Stainless Steel
- Jackscrews: Steel Nickel Plated Over Copper
- Hex Nuts: Steel Nickel Plated Over Copper
- Cable Clipper: Steel Nickel Plated Over Copper
- Screws: Steel Nickel Plated Over Copper



**RoHS Compliant**

TOLERANCES ARE

**MORETHANALL**  
PCB CONNECTORS  
Cable ASSEMBLIES

DRAWING BY CY

X.±

CHECKED BY GENIUS

.X±

UNIT/mm

SCALE 1:1

.XX±

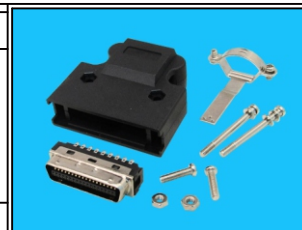
DATE

.XXX±

ANG±

SIZE A4

PJECTION



**ORDER INFORMATION**

HPC-PSHM-036-LF  
SERIES | LEADFREE  
36 WAY  
MALE SCREW  
HOOD  
SOLDER  
MALE

煜倫股份有限公司

www.morethanall.com

DESCRIPTION: 1.27mm(.050") 36Pos Hood Straight Exit Split Type