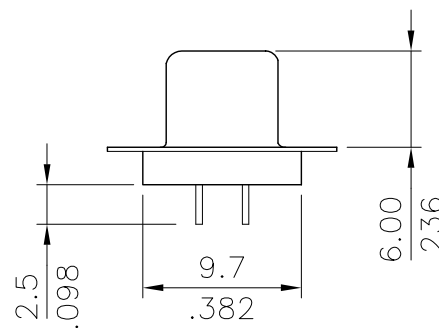
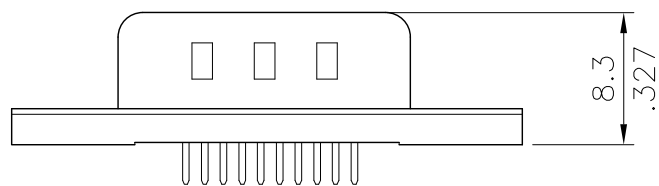


Materials:

- \* Insulator: Glass filled polyester UL 94V-0
- \* Contacts: Copper alloy
- \* Shell: Steel, Tin plated as standard



RoHS Compliant

TOLERANCES ARE

**MORETHANALL**  
PCB CONNECTORS  
Cable ASSEMBLIES

DRAWING BY CY

CHECKED BY GENIUS

UNIT / mm

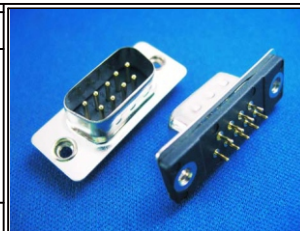
SCALE 1:1

DATE

SIZE A4

PJECTION

X.±  
.X±  
.XX±  
.XXX±  
ANG±



ORDER INFORMATION

DDM2-PN-09-LF

SERIES | LEADFREE  
| 09WAY  
| NUT  
| MALE

煜倫股份有限公司

www.morethanall.com

DESCRIPTION: