

Note

1. Material:
Metal - Stainless Steel
2. Plastic - Thermoplastic (UL 94V-0)
3. Plastic Color Tolerances: $\Delta E \leq 1.5$

MORETHANALL
PCB CONNECTORS
Cable ASSEMBLIES

煜倫股份有限公司

www.morethanall.com

RoHS Compliant

DRAWING BY CY

CHECKED BY GENIUS

UNIT/ mm SCALE 1:1

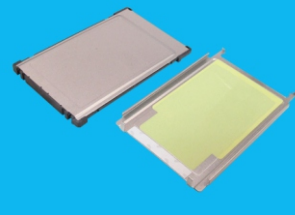
DATE

SIZE A4

TOLERANCES ARE

X.±
.X±
.XX±
.XXX±
ANG±

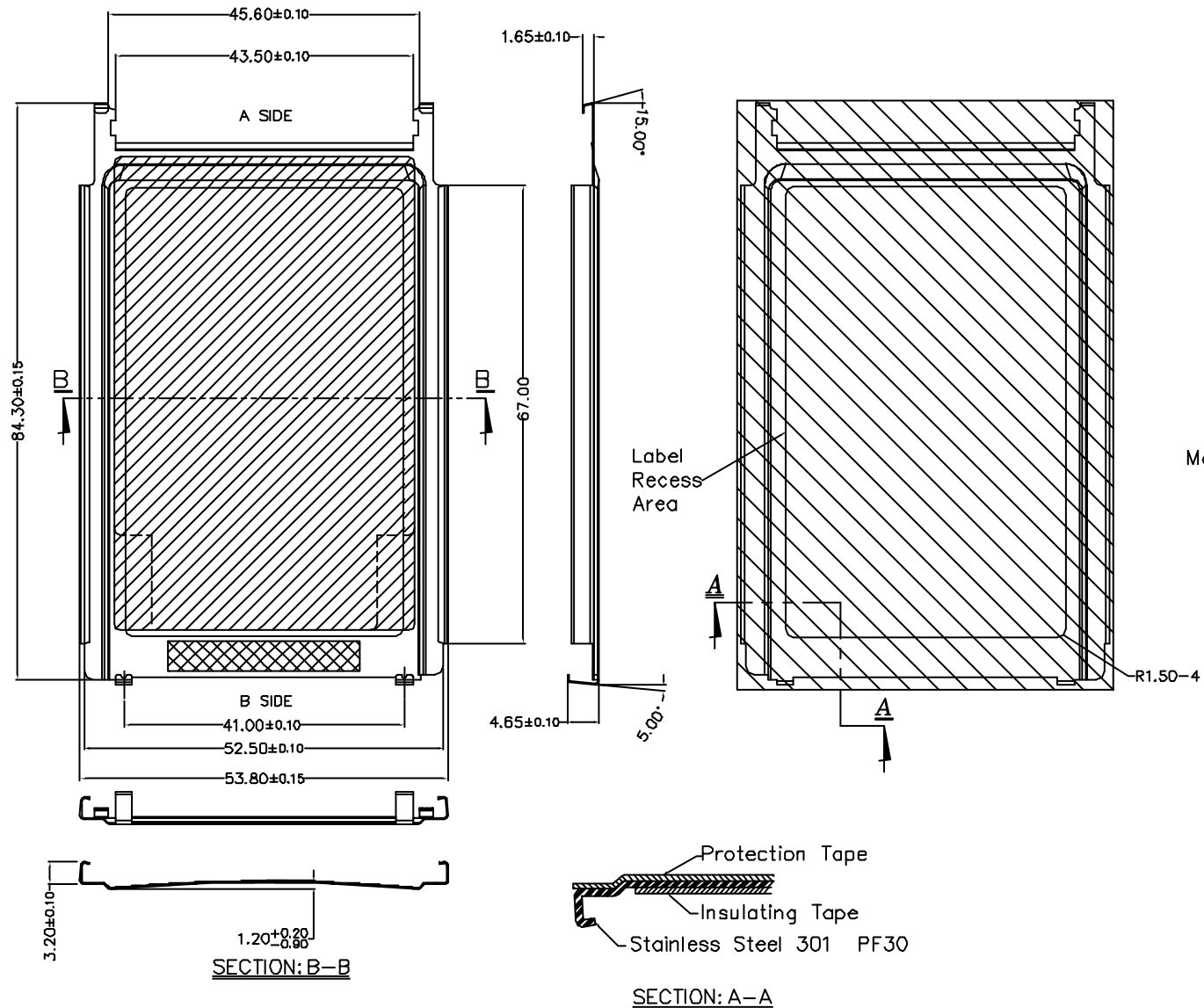
P PROJECTION



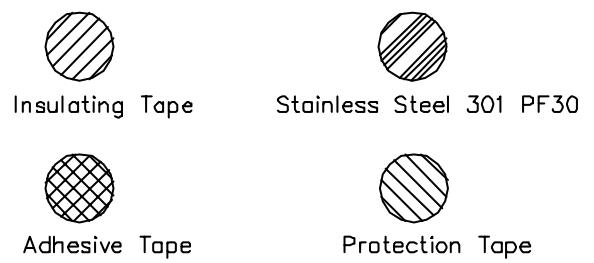
ORDER INFORMATION

PCC-CFM-68-LF
SERIES | T | LEADFREE
68WAY
METAL
FLAME
COVER

DESCRIPTION: Lower Cover for PC card



Material :
 Cover : Stainless Steel 301 PF30
 Thickness 0.2±0.03 mm
 Label Thickness 0.08mm Max.
 Adhesive Tape Thickness 0.065±0.05mm



SECTION: B-B

SECTION: A-A

RoHS Compliant

TOLERANCES ARE

MORETHANALL
 PCB CONNECTORS
 Cable ASSEMBLIES

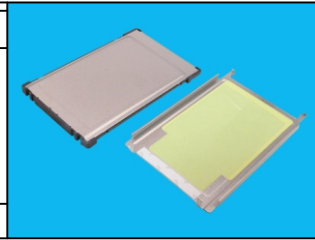
煜倫股份有限公司

www.morethanall.com

DRAWING BY CY
 CHECKED BY GENIUS
 UNIT/ mm SCALE 1:1
 DATE
 SIZE A4

X, ±
 X, ±
 .XX ±
 .XXX ±
 ANG ±

PJECTION



ORDER INFORMATION

PCC-CFM-68-LF
 SERIES | T | LEADFREE
 | | 68WAY
 | METAL
 | FLAME
 | COVER

DESCRIPTION: Upper Cover for PC card