

| ITEM | PART NAME | Q'TY | MATERIAL | PLATING |
|------|-----------|------|-----------------|-------------|
| 1 | BODY | 1 | LCP | |
| 2 | CONTACT | 124 | PHOSPHOR BRONZE | GOLD PLATED |
| 3 | LATCH | 2 | STAINLESS | TIN 80u" |

RoHS Compliant

TOLERANCES ARE

MORETHANALL
PCB CONNECTORS
Cable ASSEMBLIES

DRAWING BY CY

CHECKED BY GENIUS

UNIT / mm

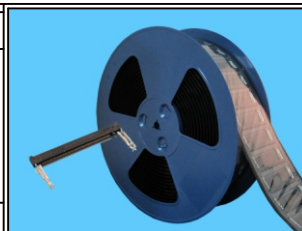
SCALE 1 : 1

DATE

SIZE A4

X, ±
.X ±
.XX ±
.XXX ±
ANG ±

PJECTION



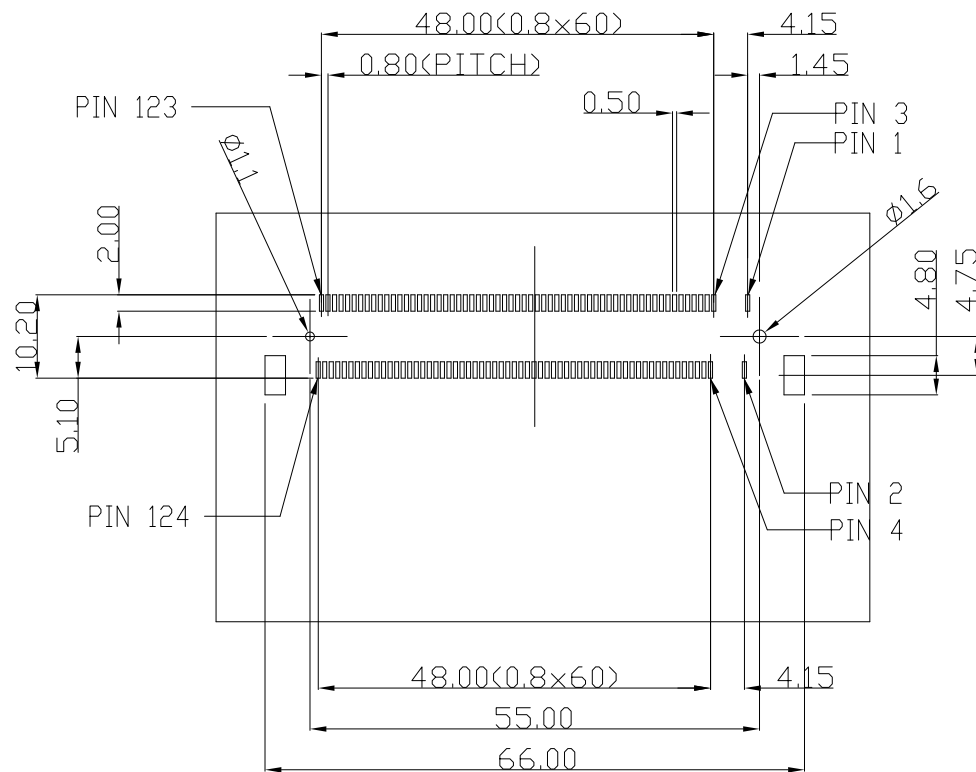
ORDER INFORMATION

MPCI-W40R-124-LF
SERIES | REEL | LEADFREE
124WAY
4.0mm HIGH
90°SMT

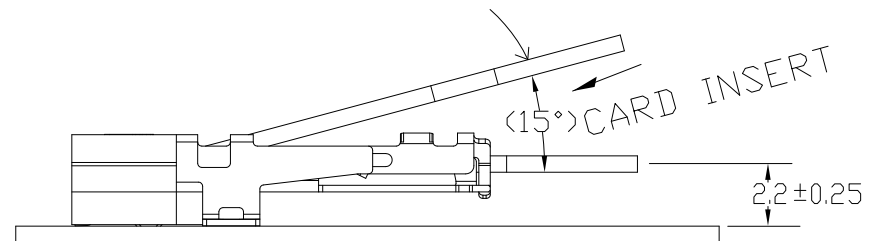
煜倫股份有限公司

www.morethanall.com

DESCRIPTION:



RECOMMEND PC BOARD LAYOUT
GENERAL TOLERANCE: $\pm 0.05\text{mm}$



RoHS Compliant

TOLERANCES ARE

MORETHANALL
PCB CONNECTORS
Cable ASSEMBLIES

DRAWING BY CY

X. \pm

CHECKED BY GENIUS

.X \pm

UNIT / mm

SCALE 1:1

.XX \pm

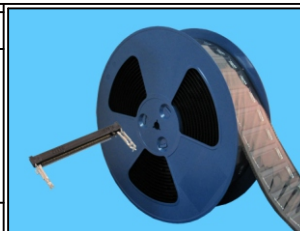
DATE

.XXX \pm

ANG \pm

SIZE A4

P PROJECTION



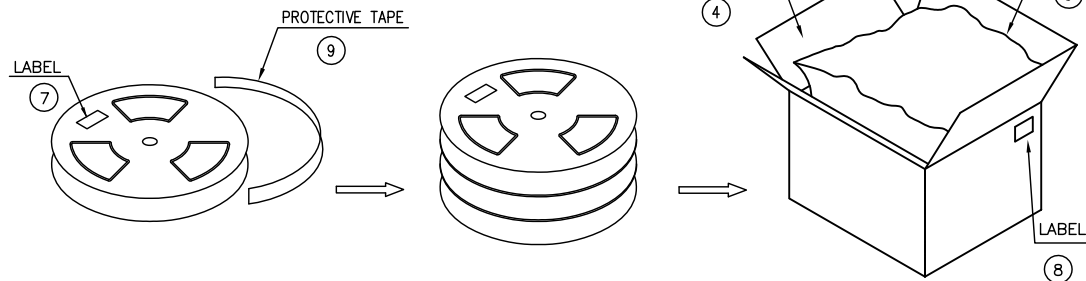
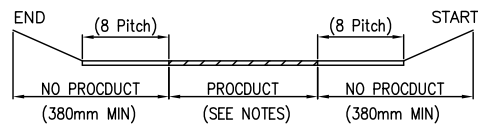
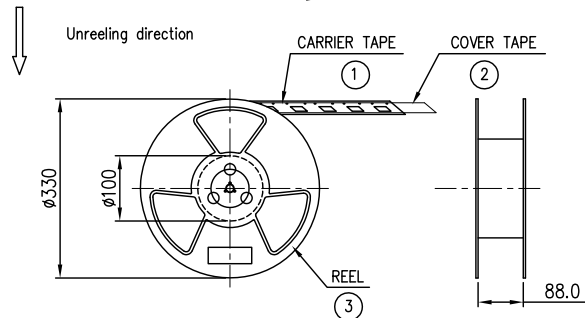
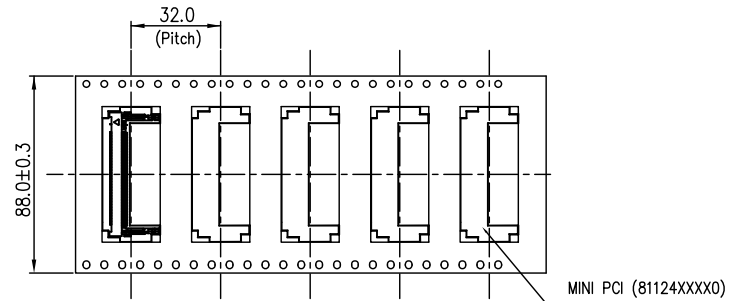
ORDER INFORMATION

MPCI-W40R-124-LF
SERIES REEL LEADFREE
124WAY
4.0mm HIGH
90°SMT

煜倫股份有限公司

www.morethanall.com

DESCRIPTION:



NOTES:

- PACKING STYLE A) (4.0H)
300 PCS/REEL
900 PCS/OUTER CARTON
 - B) (5.2H)
250 PCS/REEL
750 PCS/OUTER CARTON
 - C) (5.6H)
230 PCS/REEL
690 PCS/OUTER CARTON
 - D) (8.0H)
180 PCS/REEL
540 PCS/OUTER CARTON
 - E) (9.2H)
150 PCS/REEL
450 PCS/OUTER CARTON
 - F) (9.6H)
150 PCS/REEL
450 PCS/OUTER CARTON
- MATERIAL CARRIER TAPE: PS BLACK
COVER TAPE: PET FILM
REEL: PLASTIC
 - PEEL STRENGTH OF COVER TAPE: 20-80g (PEEL SPEED 300mm/MINUTE).

RoHS Compliant

TOLERANCES ARE

MORETHANALL
PCB CONNECTORS
Cable ASSEMBLIES

煜倫股份有限公司

www.morethanall.com

DRAWING BY CY

CHECKED BY GENIUS

UNIT / mm

SCALE 1 : 1

DATE

SIZE A4

X. ±

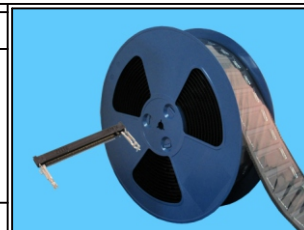
.X ±

.XX ±

.XXX ±

ANG ±

PJECTION



ORDER INFORMATION

MPCI-W40R-124-LF
SERIES | | LEADFREE
| | 124WAY
REEL
4.0mm HIGH
90°SMT

DESCRIPTION: