

ITEM	PART NAME	Q'TY	MATERIAL	PLATING
1	BODY	1	LCP	
2	CONTACT	124	PHOSPHOR BRONZE	GOLD PLATED
3	LATCH	2	STAINLESS	TIN 80u"

RoHS Compliant

TOLERANCES ARE

MORETHANALL
PCB CONNECTORS
Cable ASSEMBLIES

DRAWING BY CY

CHECKED BY GENIUS

UNIT / mm

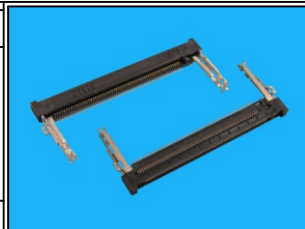
SCALE 1 : 1

DATE

SIZE A4

X. \pm
.X \pm
.XX \pm
.XXX \pm
ANG \pm

PJECTION



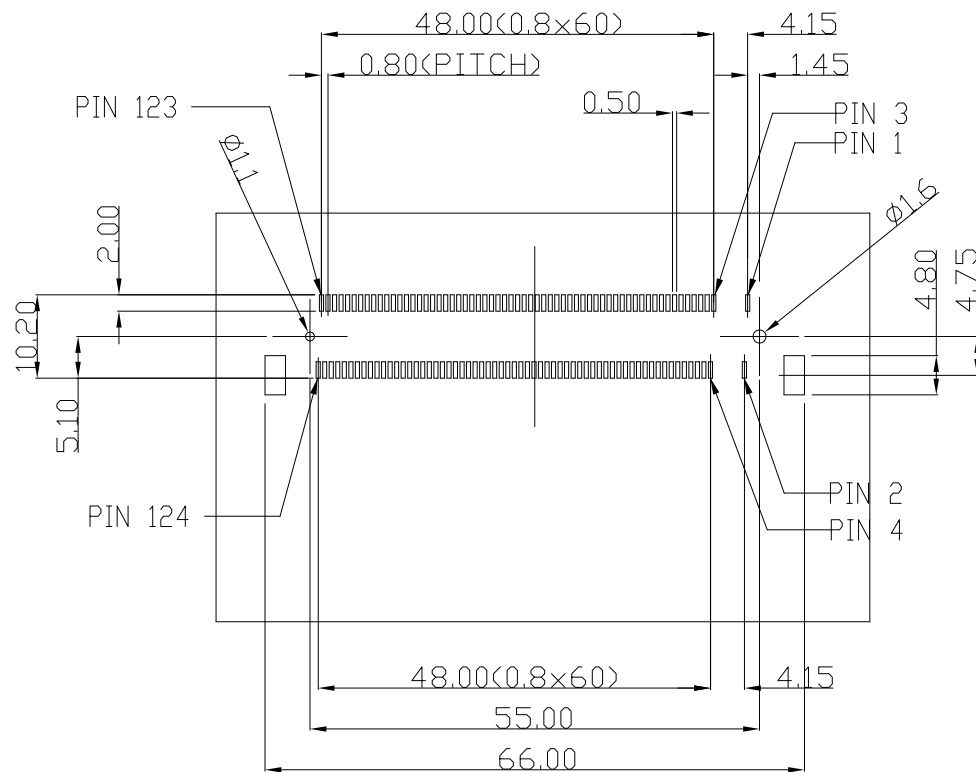
ORDER INFORMATION

MPCI-W40-124-LF
SERIES | LEADFREE
124WAY
4.0mm HIGH
90°SMT

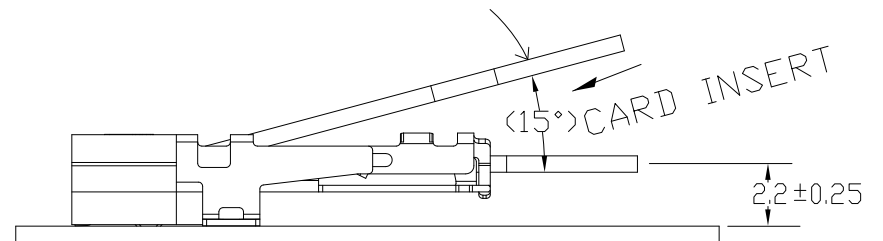
煜倫股份有限公司

www.morethanall.com

DESCRIPTION:



RECOMMEND PC BOARD LAYOUT
GENERAL TOLERANCE: ±0.05mm



MORETHANALL
PCB CONNECTORS
Cable ASSEMBLIES

煜倫股份有限公司

www.morethanall.com

RoHS Compliant

DRAWING BY CY

CHECKED BY GENIUS

UNIT / mm

SCALE 1:1

DATE

SIZE A4

TOLERANCES ARE

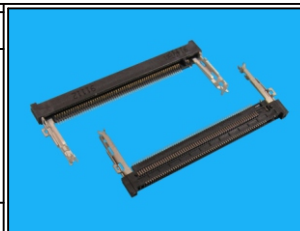
X ±

.X ±

.XX ±

.XXX ±

ANG ±



ORDER INFORMATION

MPCI-W40-124-LF

SERIES	LEADFREE
124WAY	
4.0mm HIGH	
90°SMT	

DESCRIPTION: