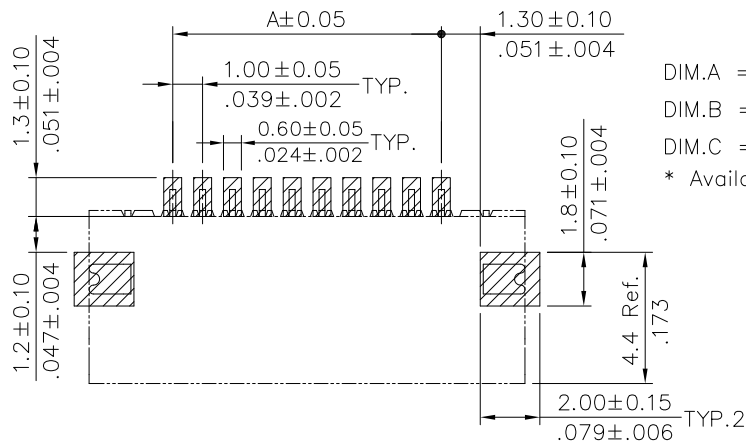
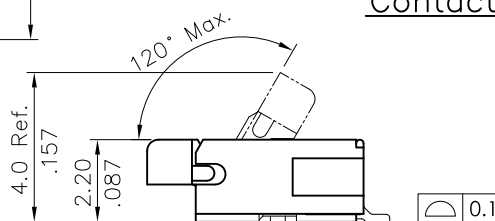
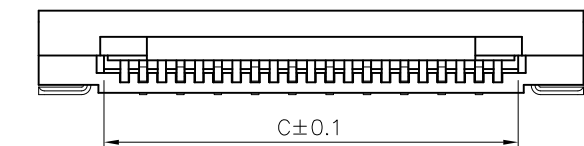
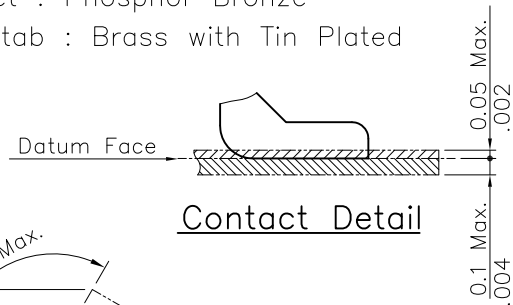
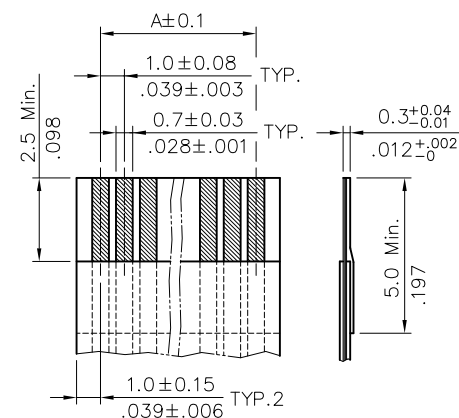


Material :

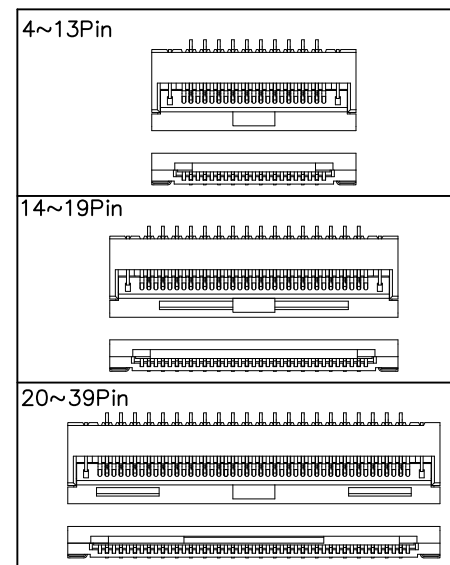
- * Body : Nylon 6T With 30% GF. UL 94V-0, Color Nature
- * Slider : Nylon 6T With 30% GF. UL 94V-0, Color Black
- * Contact : Phosphor Bronze
- * Fixed tab : Brass with Tin Plated



DIM.A = 1.00 x No. of Spaces
 DIM.B = DIM.A + 5.6
 DIM.C = DIM.A + 2.1
 * Available in 4 through 39 circuits



Accommodated FFC/FPC



Recommended P.C. Board Layout

RoHS Compliant

TOLERANCES ARE

MORETHANALL
 PCB CONNECTORS
 Cable ASSEMBLIES

DRAWING BY CY

CHECKED BY GENIUS

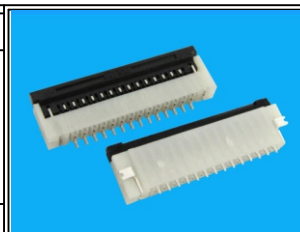
UNIT / mm SCALE 1 : 1

DATE

SIZE A4

PJECTION

X, ±
 X ± 0.15
 .XX ± 0.10
 .XXX ± 0.05
 ANG ±



ORDER INFORMATION

FPA-WHB221-xx-LF
 SERIES | | | LEADFREE
 | | | 04~39WAY
 | | | HIGH 2.2mm
 90°SMT | | | BOTTOM CONTACT
 | | | HINGED ZIF

DESCRIPTION: 1.00mm(.039") ZIF FFC/FPC ONE-TOUCH CONNECTOR

煜倫股份有限公司

www.morethanall.com