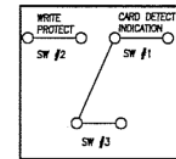
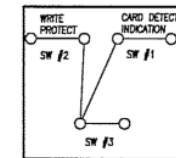


WITHOUT CARD



CARD INSERTED
WRITE PROTECT : LOCK



CARD INSERTED
WRITE PROTECT : UNLOCK

MORETHANALL
PCB CONNECTORS
Cable ASSEMBLIES

煜倫股份有限公司

www.morethanall.com

RoHS Compliant

DRAWING BY CY

CHECKED BY GENIUS

UNIT / mm SCALE 1 : 1

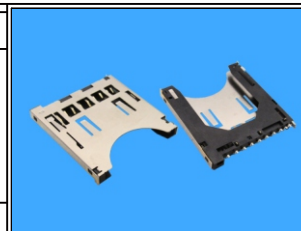
DATE

SIZE A4

TOLERANCES ARE

X, ±
.X ± 0.30
.XX ± 0.20
.XXX ± 0.10
ANG ±

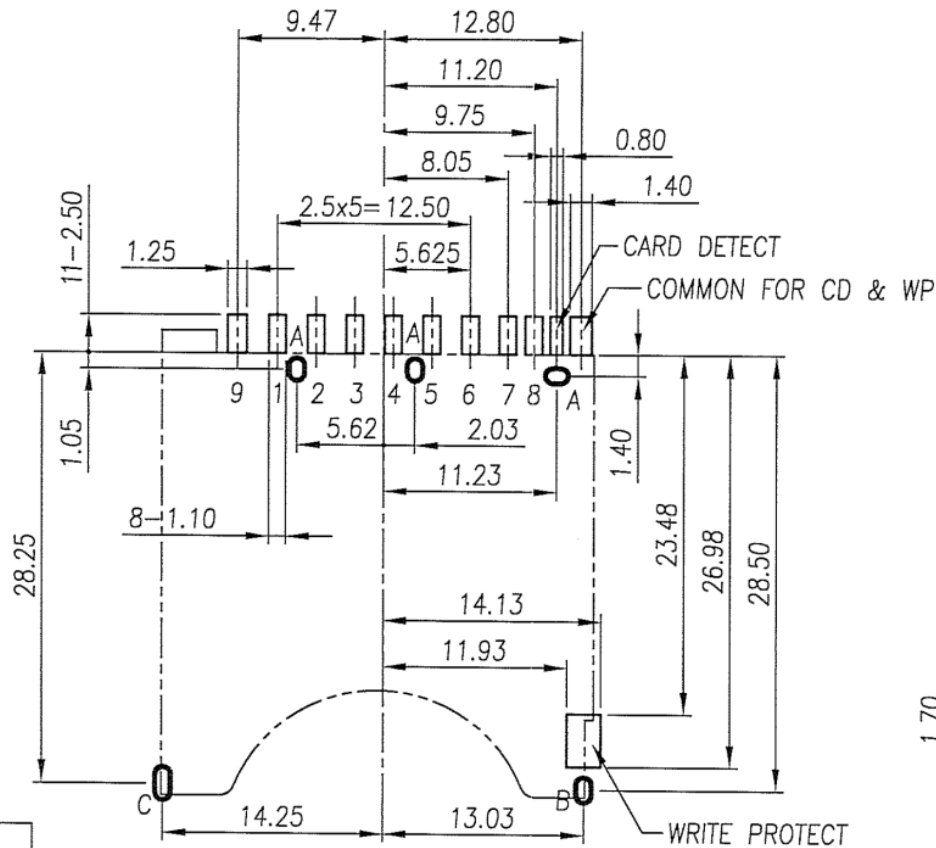
PJECTION



ORDER INFORMATION

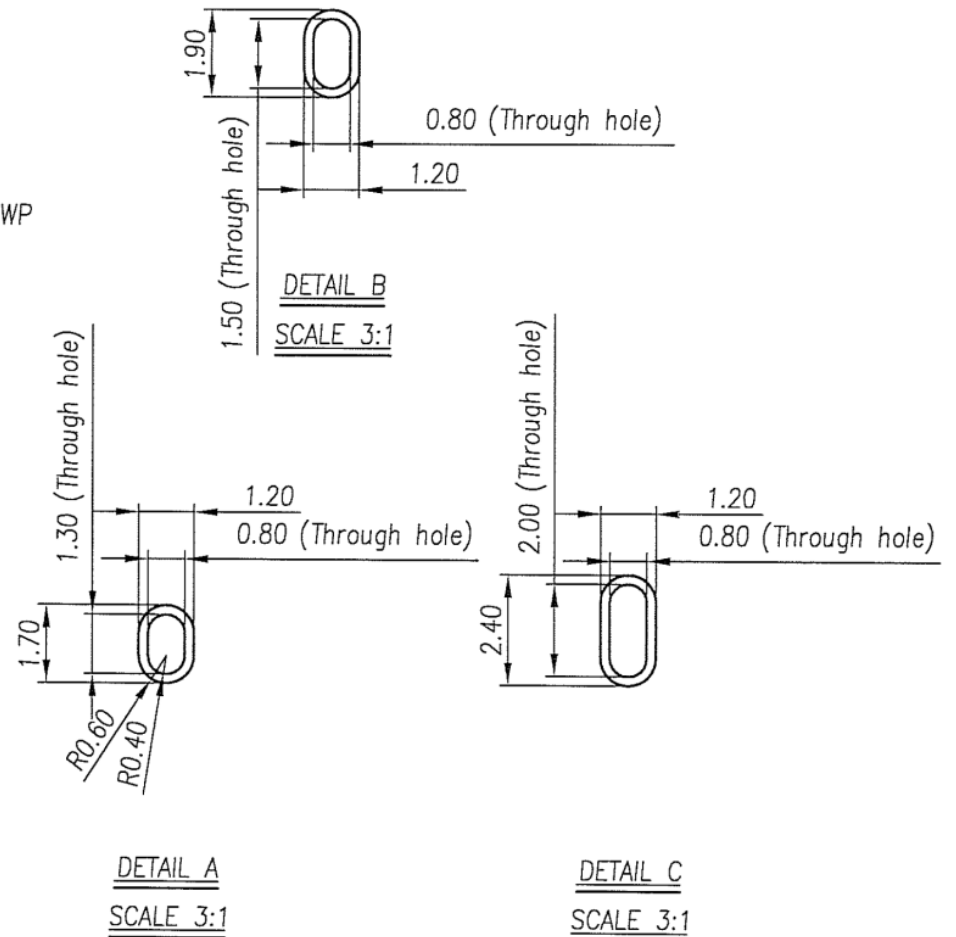
SDC-W27PA03-09-LF
SERIES | | | LEADFREE
| | | 09 WAY
90°SMT | | | 0+3mm
| | | UPPER CONTACT
| | | PUSH PUSH
| | | POST 27.25mm

DESCRIPTION: SD MEMORY CARD PUSH-PUSH



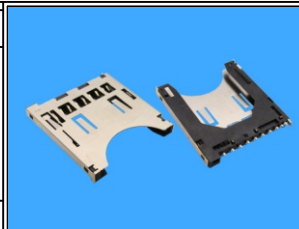
P.C.B Layout (Top View)

SD CARD PIN ASIGN	
PIN	NAME
1	CD/DAT3
2	CMD/DI
3	VSS1
4	VDD
5	CLK/SCLK
6	VSS2
7	DAT0
8	DAT1
9	DAT2



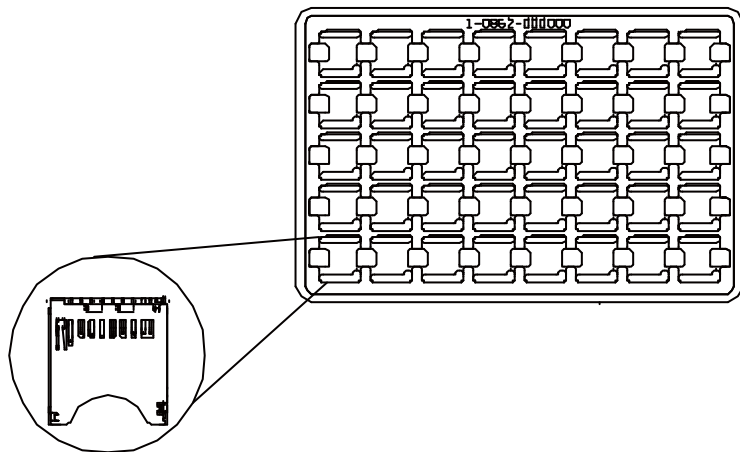
MORETHANALL
PCB CONNECTORS
Cable ASSEMBLIES
煜倫股份有限公司
www.morethanall.com

RoHS Compliant		TOLERANCES ARE
DRAWING BY CY		X, ±
CHECKED BY GENIUS		.X ±
UNIT / mm	SCALE 1 : 1	.XX ±
DATE		.XXX ±
SIZE A4	PJECTION	ANG ±

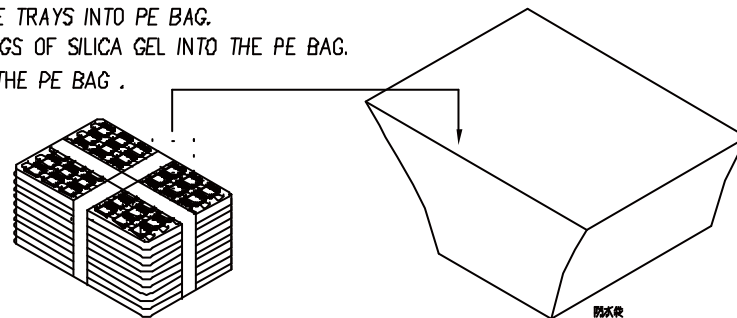


ORDER INFORMATION			
SDC-W27PA03-09-LF			
SERIES	90°SMT	LEADFREE	09 WAY
		0+3mm	UPPER CONTACT
		PUSH PUSH	POST 27.25mm
DESCRIPTION:			

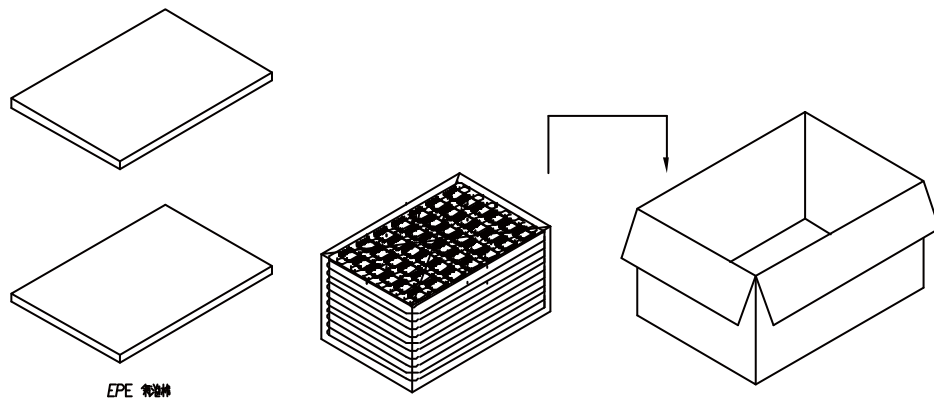
- 1-1. 如圖所示將SD CARD C TYPE CONN.放入TRAY內,如圖示之方向
 1-1. PLACE THE SD CARD C TYPE CONN. INTO THE TRAY AS DRAWING SHOWN.



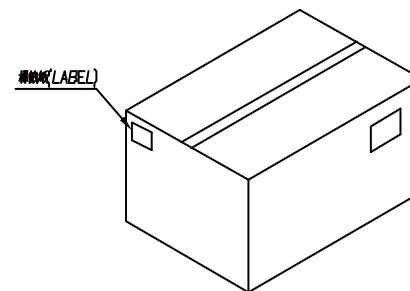
- 2-1. 將TRAY盒中之完成成品,每層40PCS,共28層,並於最上層加蓋一層TRAY,當作COVER
 2-2. 堆疊後之TRAY以膠帶雙十黏貼,膠帶重疊區須超過20cm
 2-3. 黏貼後,將TRAYS置於防水袋內
 2-4. 放入2包乾燥劑,置於PE防水袋內角落
 2-5. 將PE防水袋緊密封口
 2-1. PLACE THE PRODUCT INTO TRAY,40PCS/TRAY,TOTAL 28 TRAYS.
 AND PUT ONE MORE TRAY ON THE TOP AS COVER.
 2-2. AFTER STACKING 29 TRAYS, STICK TRAYS WITH TAPE CRISSCROSSLY.
 THE OVERLAPPING AREA OF TAPE MUST BE OVER 20cm.
 2-3. PLACE THE TRAYS INTO PE BAG.
 2-4. PUT 2 BAGS OF SILICA GEL INTO THE PE BAG.
 2-5. SEAL UP THE PE BAG .



- 3-1. 先將下層EPE氣泡棉置入紙箱底部
 3-2. 將包裝後之TRAY盒,裝入內箱
 3-3. 再將上層EPE氣泡棉蓋在TRAY盒上
 (適量高度以填滿內箱為原則,不可鬆散)
 3-4. 紙箱開口處以透明膠帶黏合
 3-1. PUT 1 PIECE OF EPE INTO BOTTOM OF BOX.
 3-2. PLACE THE TRAYS INTO THE BOX.
 3-3. PUT 1 PIECE OF EPE INTO TOP OF BOX.
 3-4. CLOSE BOX WITH TAPE.



- 4-1. 紙箱開口處以透明膠帶黏合
 4-2. 紙箱上所貼之標籤視客戶要求而定
 4-1. CLOSE CARTON WITH TAPE.
 4-2. STICK LABEL, LOCATION AS DRAWING SHOWN.



RoHS Compliant

TOLERANCES ARE

MORETHANALL
 PCB CONNECTORS
 Cable ASSEMBLIES

煜倫股份有限公司

www.morethanall.com

DRAWING BY CY

CHECKED BY GENIUS

UNIT / mm

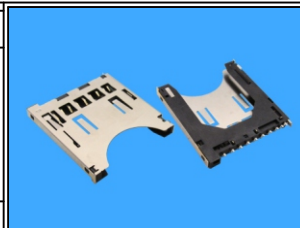
SCALE 1 : 1

DATE

SIZE A4

PPOJECTION

X, ±
 .X ±
 .XX ±
 .XXX ±
 ANG ±



ORDER INFORMATION

SDC-W27PA03-09-LF
 SERIES | | | LEADFREE
 | | | 09 WAY
 | | | 0+3mm
 90°SMT | | | UPPER CONTACT
 | | | PUSH PUSH
 | | | POST 27.25mm

DESCRIPTION: