

Recommended P.C.B. Layout

SPECIFICATIONS

- * Current Rating : 1 Amps
- * Insulator resistance: 5000 Megohms min.
- * Dielectric withstanding: AC 500 V
- * Operating Temperature: -40°-+105°C
- * Max Processing Temp: 230° for 30~60 seconds
(260° for 10 seconds)
- * Contact Material: Phosphor bronze
- * Housing: L.C.P (UL 94 V-0)

RoHS Compliant

TOLERANCES ARE

MORETHANALL
PCB CONNECTORS
Cable ASSEMBLIES

煜倫股份有限公司

www.morethanall.com

DRAWING BY CY

CHECKED BY GENIUS

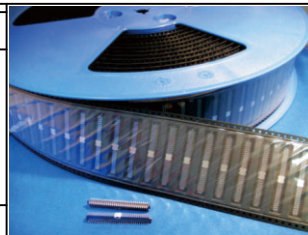
UNIT / mm SCALE 1 : 1

DATE

SIZE A4

X. ±
.X ±
.XX ±
.XXX ±
ANG ±

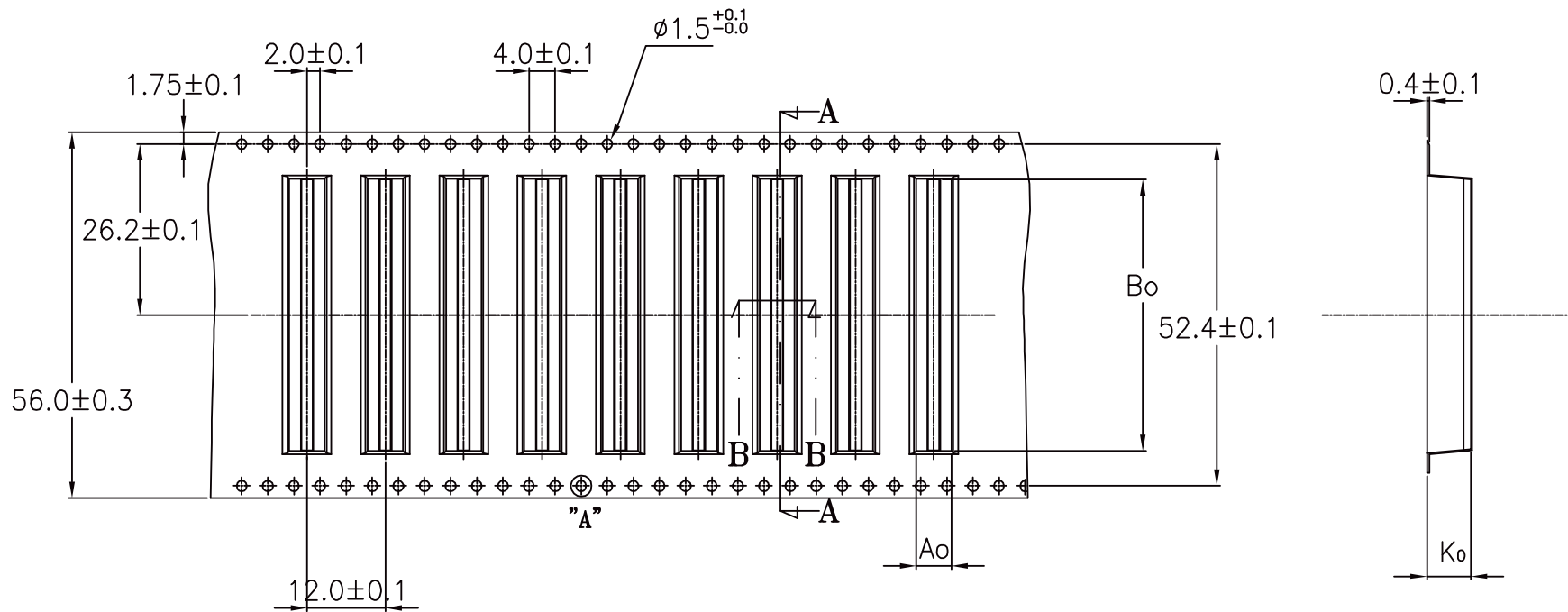
P PROJECTION



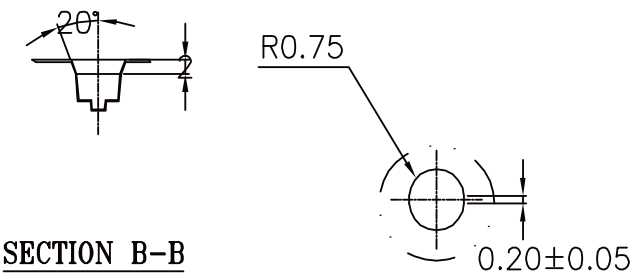
ORDER INFORMATION

YAB-V45PCR-2Xxx-LF
SERIES | | | | LEADFREE
2X03:06WAY
2X50:100WAY
180°SMT | REEL
HIGH 4.5mm | CAP POST

DESCRIPTION: Dual Row 1.27x1.27 SMD Female



SECTION A-A



SECTION B-B

DETAIL: "A"(S=5/1)

1. 10 sprocket hole pitch cumulative tolerance +0.20mm. -
2. Carrier camber not to exceed 1mm in 100mm.
3. A_0 and B_0 measured on a plane 0.3mm above the bottom of the pocket.
4. K_0 measured from a plane on the inside bottom of the pocket to the top surface of the carrier.
5. All dimensions meet EIA-481-2 requirements.
6. Material: Black Anti-Static Polystyrene.
7. Component load per 13" reel : 850 pcs.

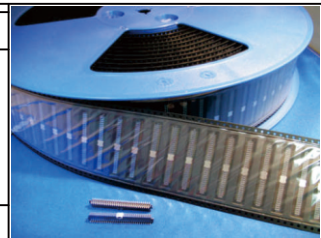
RoHS Compliant

TOLERANCES ARE

MORETHANALL
PCB CONNECTORS
Cable ASSEMBLIES
煜倫股份有限公司

DRAWING BY CY
CHECKED BY GENIUS
UNIT / mm SCALE 1:1
DATE

X. ±
.X ±
.XX ±
.XXX ±
ANG ±



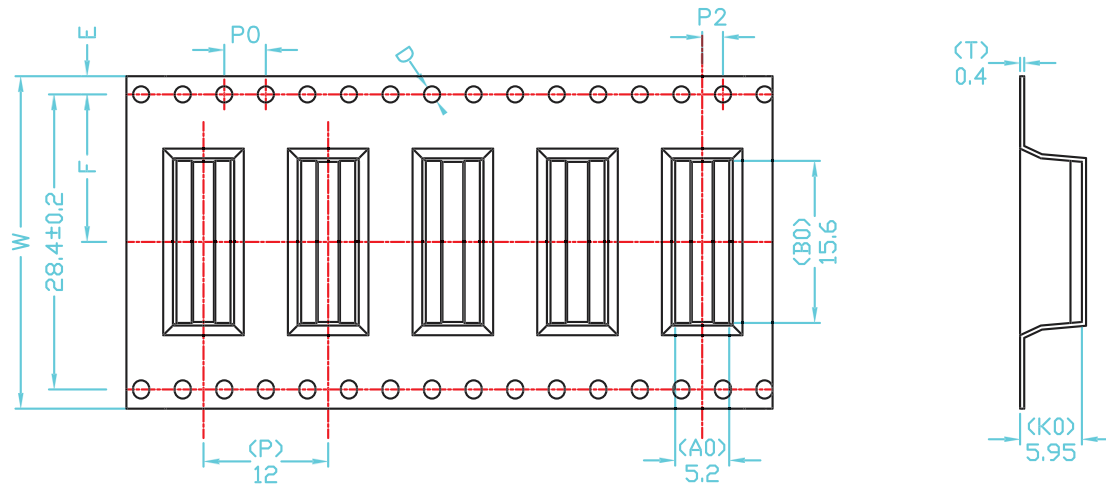
ORDER INFORMATION

YAB-V45PCR-2Xxx-LF
SERIES | | | | | LEADFREE
2X03:06WAY
2X50:100WAY
180°SMT REEL
HIGH 4.5mm CAP POST

www.morethanall.com

SIZE A4 PPROJECTION

DESCRIPTION:



ITEM	W	A ₀	B ₀	K ₀	K ₁	P	F	E	D	D ₁	P ₀	P ₂
DIM	32.0 ^{+0.30} _{-0.30}	5.20 ^{+0.20} _{-0.10}	15.6 ^{+0.20} _{-0.10}	5.95 ^{+0.20} _{-0.10}	0.00 ^{+0.00} _{-0.00}	12.0 ^{+0.10} _{-0.10}	14.2 ^{+0.15} _{-0.15}	1.75 ^{+0.10} _{-0.10}	1.50 ^{+0.10} _{-0.00}	0.00 ^{+0.00} _{-0.00}	4.00 ^{+0.10} _{-0.10}	2.00 ^{+0.10} _{-0.10}
ALTERNATE						問題?明: (Note:)						
客?確認: Customer Approved:		確認日期: Date:										

- 1.10 sprocket hole pitch cumulative tolerance $\pm 0.20\text{mm}$.
2. Carrier camber not to exceed 1mm in 100mm.
3. A₀ and B₀ measured on a plane 0.3mm above the bottom of the pocket.
4. K₀ measured from a plane on the inside bottom of the pocket to the top surface of the carrier.
5. All dimensions meet EIA-481-C requirements.
6. Material: Black Anti-static Polystyrene.
7. Thickness: $0.4 \pm 0.05\text{ mm}$.
8. Packing length per 22" reel : 35.5 Meters.
9. Component loaded per 13" reel : 900 pcs. (Core 4")

MORETHANALL
PCB CONNECTORS
Cable ASSEMBLIES

煜倫股份有限公司

www.morethanall.com

RoHS Compliant

DRAWING BY CY

CHECKED BY GENIUS

UNIT/ mm SCALE 1:1

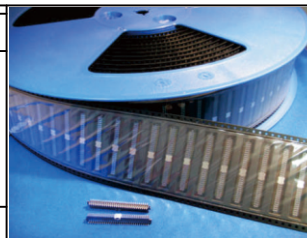
DATE

SIZE A4

TOLERANCES ARE

X, \pm
.X \pm
.XX \pm
.XXX \pm
ANG \pm

PJECTION



ORDER INFORMATION

YAB-V45PCR-2Xxx-LF
SERIES | | | | LEADFREE
2X03:06WAY
2X50:100WAY
180°SMT REEL
HIGH 4.5mm CAP POST

DESCRIPTION: 1.27mm 2X10p