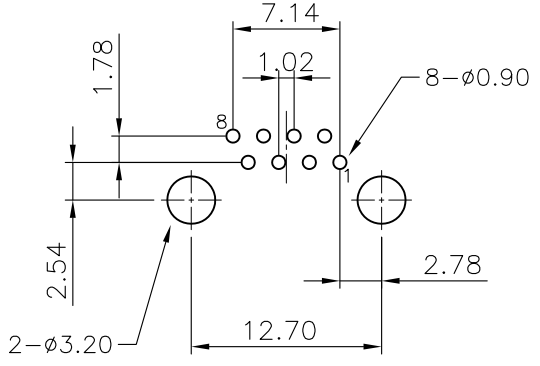
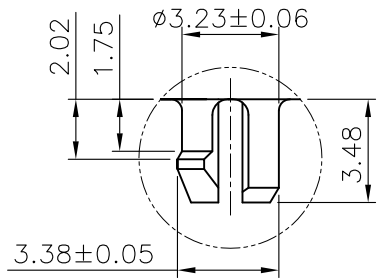
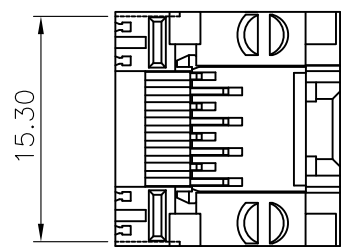
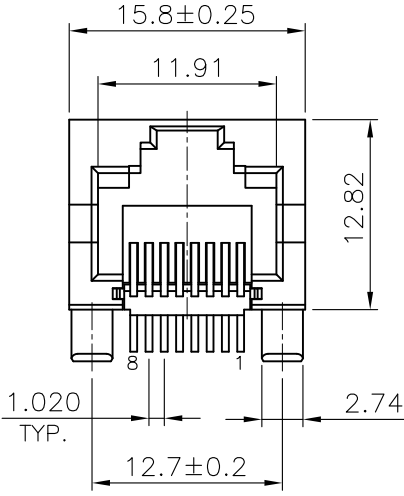
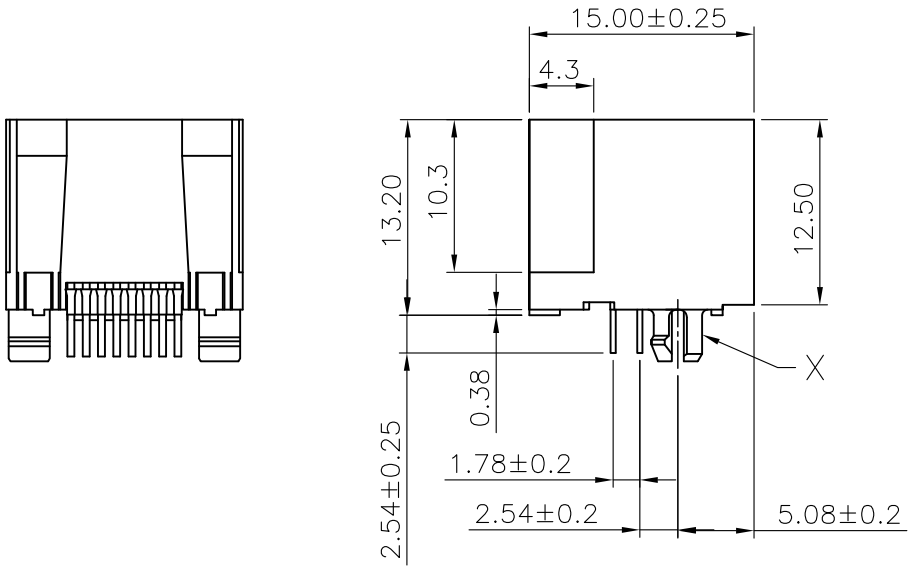


MATERIAL:
 · HOUSING—DSM STANYL TE250F6 (NYLON—46)
 HEAT DEFLECTION TEMP.290°
 BLACK COLOR, UL94V-0
 · CONTACTS—0.35mm THICK PHOS-BRONZE PLATED
 WITH 6u" HARD GOLD AND GOLD FLASH IN
 SOLDER AREA.

CAVITY CONFIRMS TO FCC RULES AND REGULATIONS
 PART 68,SUBPART F.



PCB LAYOUT (TOP VIEW)
 RECOMMENDED

DETAIL X

RoHS Compliant

TOLERANCES ARE



DRAWING BY CY

CHECKED BY GENIUS

UNIT / mm

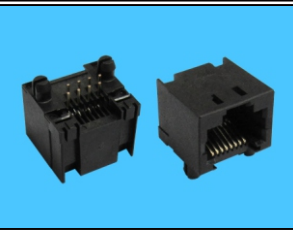
SCALE 1 : 1

DATE

SIZE A4

PPOJECTION

X, ±
 .X ± 0.25
 .XX ± 0.13
 .XXX ± 0.05
 ANG ±



ORDER INFORMATION

MJ13U-KX06-0808-LF

SERIES | | LEADFREE
 | | 8P8C
 | | 06u" GOLD
 | | NON EAR
 | | BLACK

DESCRIPTION: RJ45, W/O LED FLAT PIN, SIDE ENTRY JACK

煜倫股份有限公司

www.morethanall.com