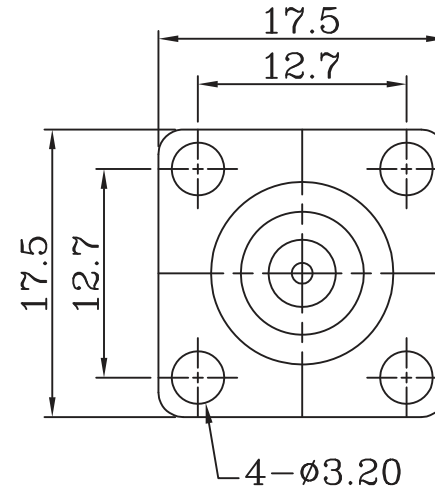
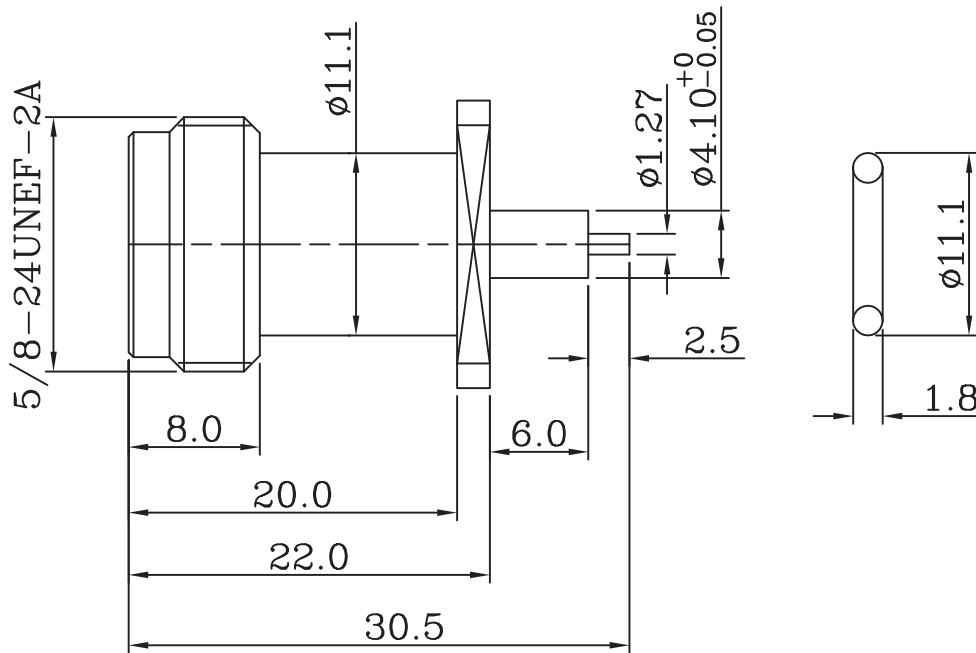


**ELECTRICAL**

1. FREQUENCY RANGE: DC-11 GHz
2. WORKING VOLTAGE: 1000V
3. IMPEDANCE: 50 OHM
4. CONTACT RESISTANCE:  
CENTRE CONTACT:  $\leq 1m\Omega$
5. INSULATION RESISTANCE:  $> 5000m\Omega$
6. Dielectric withstanding Voltage  $\geq 2500v$
7. DURABILITY: 500 CYCLES Min.
8. TEMPERATURE RANGE:  $-40^{\circ}C$  TO  $+155^{\circ}C$



4	O-RING	RUBBER	1	NATURAL
3	CONTACT PIN	P-bronze	1	SILVER PLATED
2	INSULATOR	TEFLON	1	NATURAL
1	BODY	BRASS	1	COPPER-TIN-ZINC PLATED
ITEM	DESCRIPTION	MATERIAL	Q'TY	FINISHED

**RoHS Compliant**

TOLERANCES ARE

**MORETHANALL**  
PCB CONNECTORS  
Cable ASSEMBLIES

DRAWING BY CY

CHECKED BY GENIUS

UNIT / mm

SCALE 1 : 1

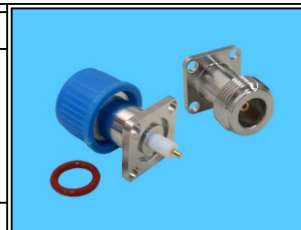
DATE

SIZE A4

PJECTION

0.5-15 =  $\pm 0.15$   
15-30 =  $\pm 0.30$   
30-120 =  $\pm 0.60$   
>120 =  $\pm 1.00$

ANGLES  
 $\pm 5^{\circ}$



**ORDER INFORMATION**

N-JSPQP6025-50-LF  
SERIES | JACK | PIN | PANEL SQUARE | LEADFREE  
50 OHM  
6.0+2.5mm  
SOLDER

**煜倫股份有限公司**

[www.morethanall.com](http://www.morethanall.com)

DESCRIPTION: N JACK PANEL RECEPTACLE