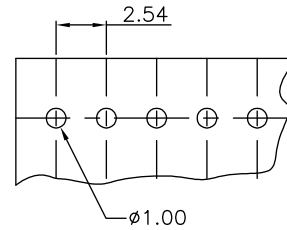


FEATURES:

- . 2-25 Circuits
- . Nylon 66-V2
- . Designed for parallel and perpendicular board stacking, connection
- . Mates with .025"[0.64mm] square pins
- . Mounted on a board right angle headers, and straight headers

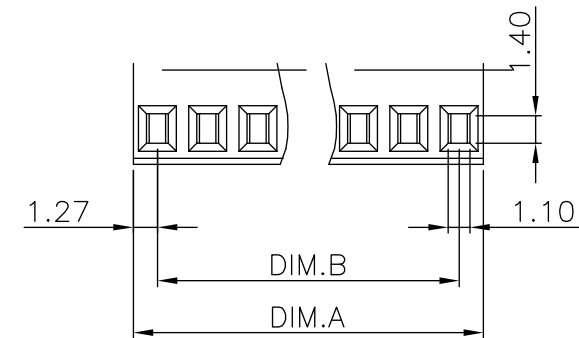
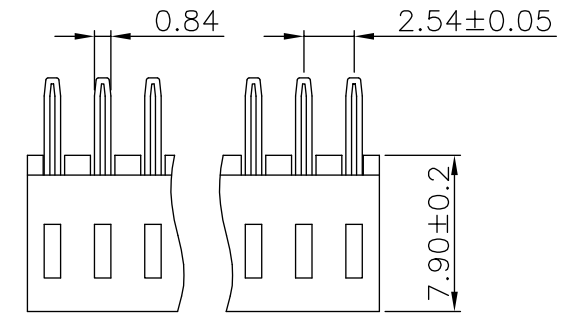
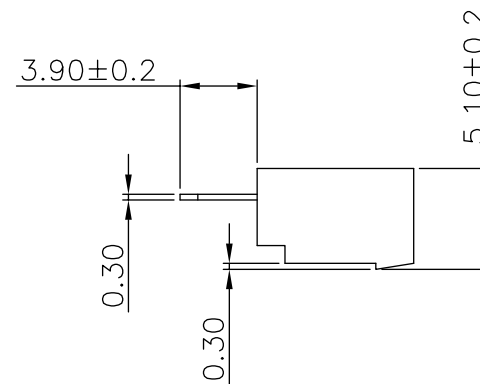


P.C.Board Hole Dimensions

SPECIFICATIONS:

- . Current rating: 3A AC. DC
- . Voltage rating: 250V AC. Maximum
- . Temperature range: -40°C ~ +105°C
- . Contact resistance: Initial Value/10mΩ max.
After environmental testing /20mΩ max.
- . Insulation resistance: 5000 MΩ min
- . Withstand Voltage: 1500V AC/minute
- . Applicable PC board thickness: .063"[1.6mm]

PIN數	DIM.A	DIM.B	Tolerances
02	5.08	2.54	±0.20
03	7.62	5.08	
04	10.16	7.62	
05	12.70	10.16	
06	15.24	12.70	
07	17.78	15.24	±0.25
08	20.32	17.78	
09	22.86	20.32	
10	25.40	22.86	
11	27.94	25.40	
12	30.48	27.94	
13	33.02	30.48	



編號	長度	材質	數量
1		Nylon 66	1
2	0.3X22.3MM(含料帶)	黃銅	2~25
3	真空盒 NO.1254 10行一般-PB		

RoHS Compliant

TOLERANCES ARE

MORETHANALL
PCB CONNECTORS
Cable ASSEMBLIES

DRAWING BY CY

CHECKED BY GENIUS

UNIT / mm

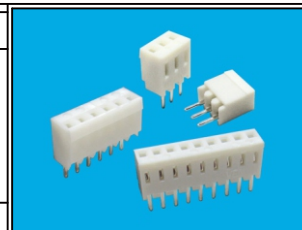
SCALE 1 : 1

DATE

SIZE A4

PJECTION

X, ±
.X ± 0.20
.XX ± 0.10
.XXX ± 0.05
ANG ± 2°



ORDER INFORMATION

MX-TLX-xx-LF
SERIES | LEADFREE
| 02~13WAY
| NON HOOK
| LOCKING RAMP
| TOP ENTRY

煜倫股份有限公司

www.morethanall.com

DESCRIPTION: