

NOTE:

1. 表面處理

鍍錫 40u" 以上

1. SURFACE TREATMENT:

TIN PLATING

THICKNESS MORE THAN 40u"

適用電線

WIRE RANGE 16~12

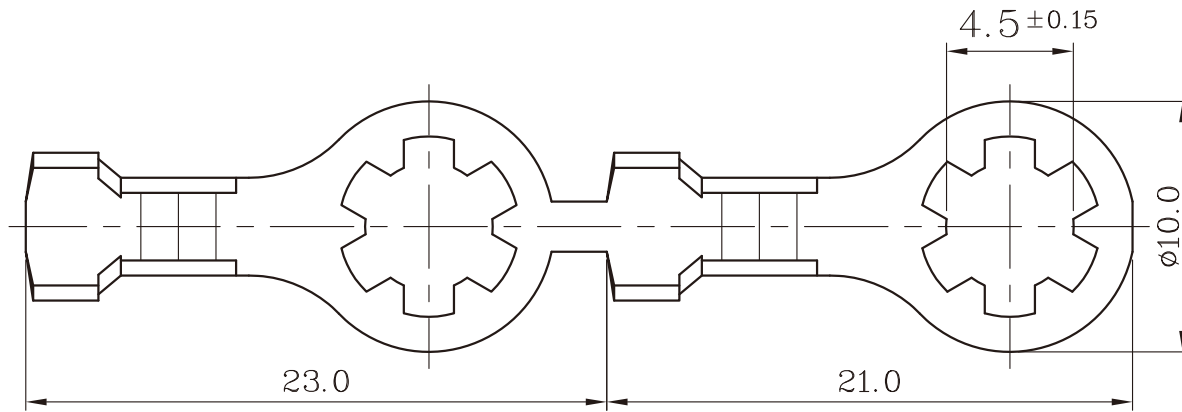
包裝數量 5000

PACKING Q'TY PCS/R

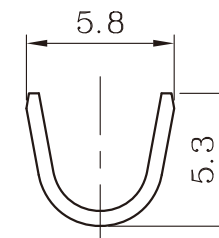
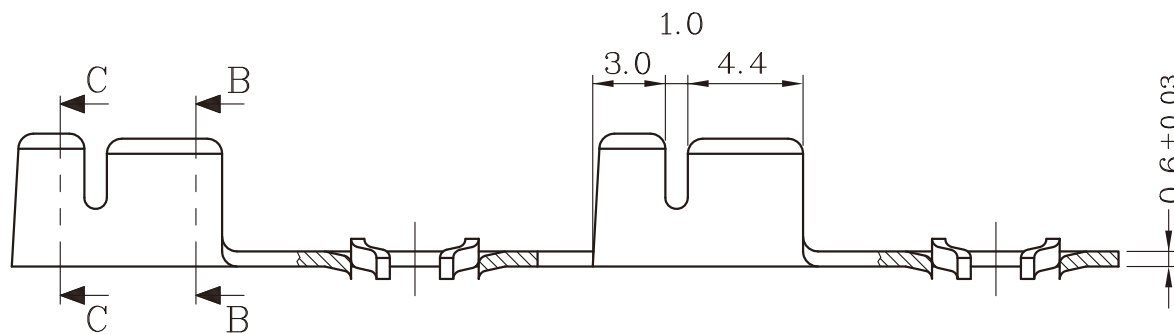
材質 JIS2680H

MATERIAL

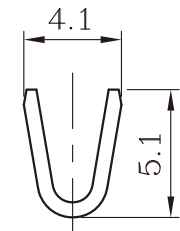
料厚 0.6 間距 23.0  
THICKNESS PITCH



RTS-45-12	鍍錫 TIN PLATING
RTS-45B-12	素材 NONE
PART NO.	FINISH



SEC. C-C



SEC. B-B

RoHS Compliant

TOLERANCES ARE

**MORETHANALL**  
PCB CONNECTORS  
Cable ASSEMBLIES

煜倫股份有限公司

www.morethanall.com

DRAWING BY CY

CHECKED BY GENIUS

UNIT / mm

SCALE 1:1

DATE

SIZE A4

PPOJECTION

X. ±  
.X ±  
.XX ±  
.XXX ±  
ANG ±



ORDER INFORMATION

RTS-45x-12-LF  
SERIES | LEADFREE  
12-16 AWG  
BLANK:TIN  
B:BRASS  
DIA 4.5mm

DESCRIPTION: 梅花前腳高