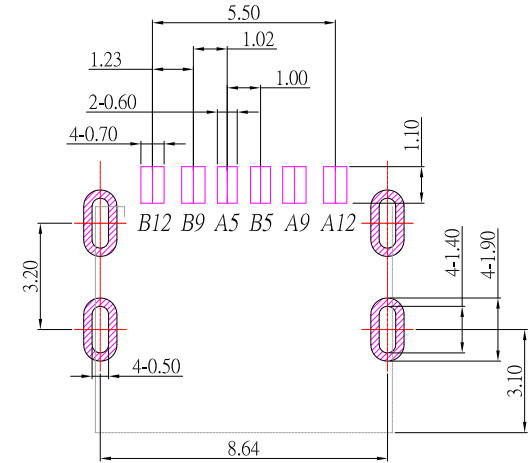


B12	GND
B9	VBUS
B5	CC2
A5	CC1
A9	VBUS
A12	GND
PIN	SIGNAL NAME



RECOMMENDED P.C.B. LAYOUT

SPECIFICATIONS

Electrical:

1. Rating: 20 V, 3.0 A
2. Dielectric Withstand Voltage: 150V AC
3. Contact Resistance: 40 mΩ Max
4. Insulation Resistance: 100 MΩ Min

Mechanical:

1. Connector Mate and Unmate Force
 - 1.1 Mate force: 5~20 N
 - 1.2 Unmate force: 8~20 N

Material:

1. Housing: LCP
2. Contact: BRASS
3. Shell: SUS

Finish:

1. Contact: Plated Gold in Mating Area ;
Tin Plated on Solder Balls ;
Nickel under plated overall
2. Shell: Nickel under Plated surface layer

RoHS Compliant

TOLERANCES ARE

MORETHANALL
PCB CONNECTORS
Cable ASSEMBLIES

煜倫股份有限公司

www.morethanall.com

DRAWING BY CY

CHECKED BY GENIUS

UNIT / mm

SCALE 1 : 1

DATE

SIZE A4

P PROJECTION

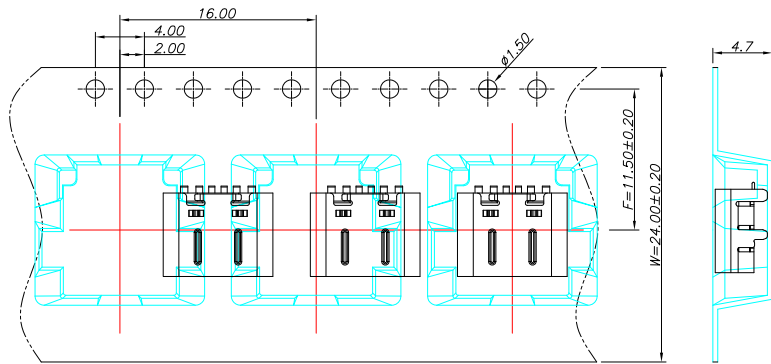
Up to 5 ±0.2
Above 5 ~ 15 ±0.3
Above 15 ~ 30 ±0.4
Above 30 ~ 50 ±0.5
Angle ±0.3°



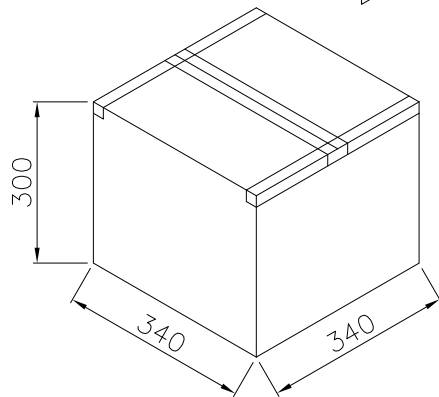
ORDER INFORMATION

USB-SWMM8686R-24C06-LF
SERIES | METAL FOOT 8.64mm | REEL | 06 WAY | LEADFREE
FEMALE | 24 PIN C TYPE | 90°SMT

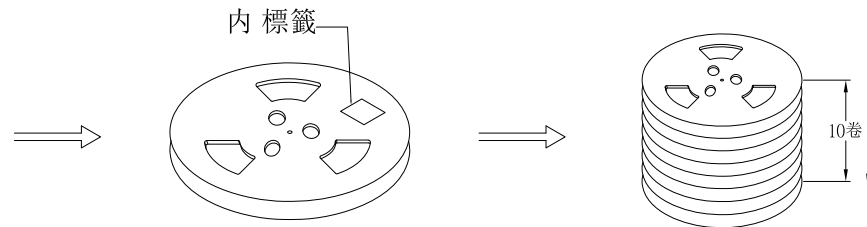
DESCRIPTION: USB C TYPE 2.0 Female SMT 6PIN



① 產品入載帶示意圖

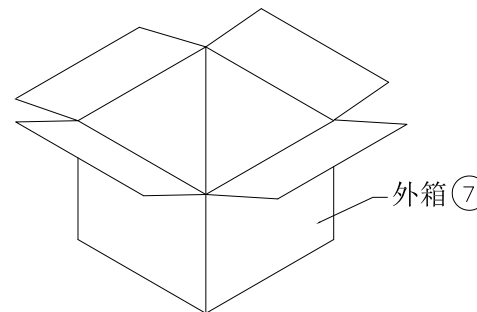


⑤ 外箱封箱示意圖



② 卷盤貼標籤示意圖

③ 10盤產品疊層示意圖



④ 產品入外箱示意圖

圖四

包裝說明:

1. 將檢驗好的成品;SMT朝下放入載帶底部;每卷裝1000PCS產品;具体如圖一所示
2. 將包裝好的產品;每盤必需貼上內標籤;具体如圖二所示
3. 將貼好內標籤的產品每10盤疊;具体如圖三圖四所示
4. 裝好後並封好紙箱及貼好相關標籤;具体如圖六所示;
(產品包裝的標籤, 如客戶有要求, 請按客戶要求包裝出貨)
5. 載帶前面留10PCS空格, 後面留10PCS空格

RoHS Compliant

TOLERANCES ARE

MORETHANALL
PCB CONNECTORS
Cable ASSEMBLIES
煜倫股份有限公司

DRAWING BY CY

CHECKED BY GENIUS

UNIT / mm

SCALE 1 : 1

DATE

SIZE A4

PPOJECTION

Up to 5 ±0.2
Above 5 ~ 15 ±0.3
Above 15 ~ 30 ±0.4
Above 30 ~ 50 ±0.5
Angle ±0.3°



ORDER INFORMATION

USB-SWMM8686R-24C06-LF
SERIES | LEADFREE
06 WAY
FEMALE | REEL | METAL FOOT 8.64mm
24 PIN C TYPE
90°SMT

DESCRIPTION: PACKING

www.morethanall.com