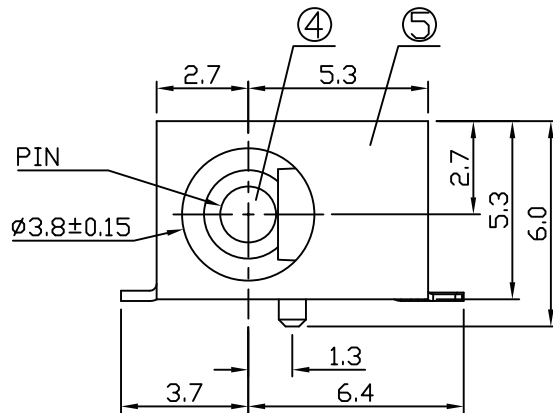


T:1.6 Dimensions of PC board holes  
Tolerance : ±0.05(Printed-top view)



SCHEMATIC		
DCJ-W15R-10	∅1.0	1
DCJ-W15R-13	∅1.3	2
		3

5	HOUSING	1	PA9T	UL-94V0(BLACK)
4	PIN	1	H59(COPPER ALLOY)	Cu/Sn PLATED
3	TERMINAL 3#	1	C2680 t=0.25	Ag PLATED
2	TERMINAL 2#	1	SUS301 t=0.25	Ag PLATED
1	TERMINAL 1#	1	C2680 t=0.30	Ag PLATED
LTR	PART NAME	QTY	MATERIAL	REMARK

UNLESS OTHERWISE SPECIFIED, TOLERANCE ON DECIMAL: ±0.2

**MORETHANALL**  
PCB CONNECTORS  
Cable ASSEMBLIES

煜倫股份有限公司

www.morethanall.com

**RoHS Compliant**

DRAWING BY CY

CHECKED BY GENIUS

UNIT/mm SCALE 1:1

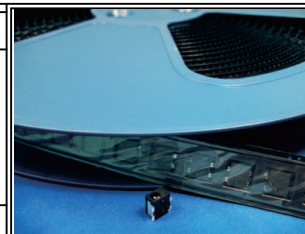
DATE

SIZE A4

TOLERANCES ARE

X.±  
.X±  
.XX±  
.XXX±  
ANG±

PJECTION



**ORDER INFORMATION**

DCJ-W15R-xx-LF

SERIES

REEL

10:1.00

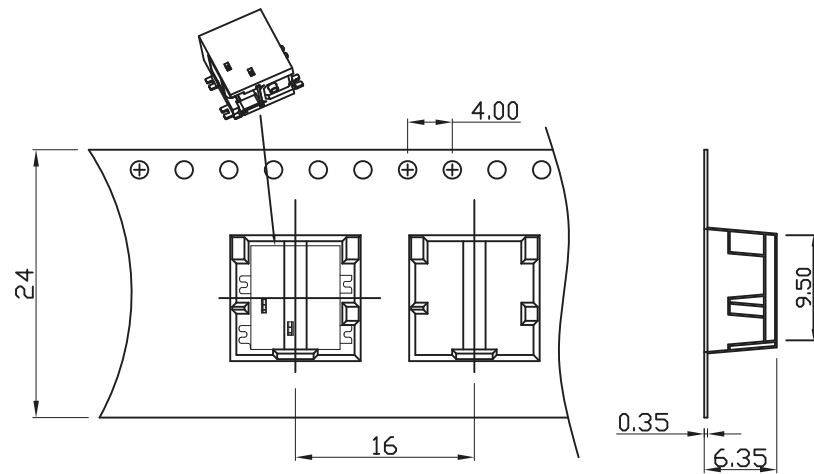
13:1.30

POST 1.5+5.0mm

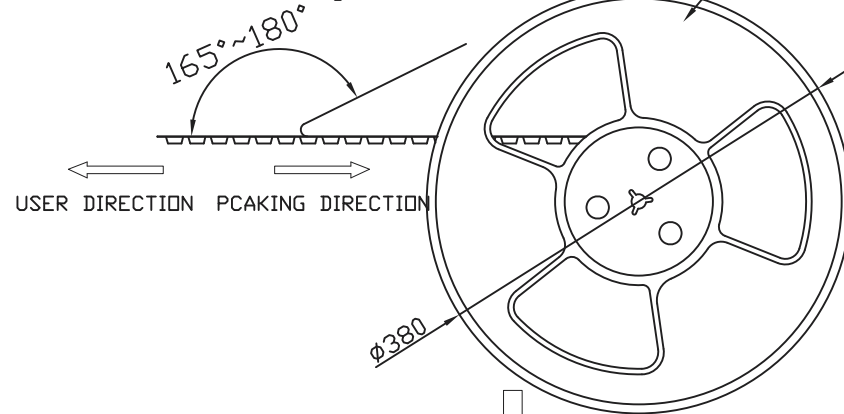
90°SMT

LEADFREE

DESCRIPTION:

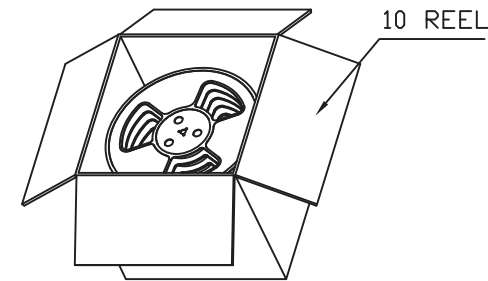
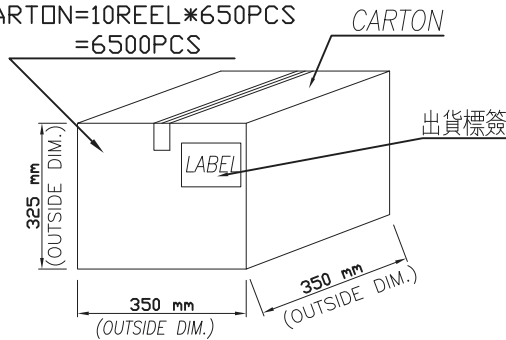


COVER TAPE  
 PEELING ANGLE:165°~180°  
 PEELING FORCE:20~130g



650pcs

CARTON=10REEL\*650PCS  
 =6500PCS



包裝方式及數量:

1. 如上圖所示，產品錫腳朝下依次序放入載帶中。包裝時載帶前端空10PCS不放置產品。每卷放置產品650PCS，在卷盤上面貼好標籤。

2. 如上圖所示將包裝好的卷盤平放入外箱中，每個外箱疊放13卷卷盤，封箱貼好標籤。

合計：6500PCS/箱

RoHS Compliant

TOLERANCES ARE

**MORETHANALL**  
 PCB CONNECTORS  
 Cable ASSEMBLIES

煜倫股份有限公司

www.morethanall.com

DRAWING BY CY

CHECKED BY GENIUS

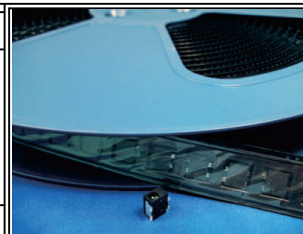
UNIT/mm SCALE 1:1

DATE

SIZE A4

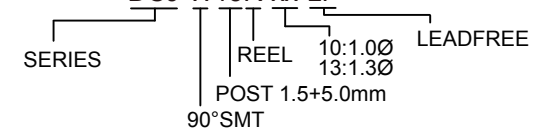
X. ±  
 .X ±  
 .XX ±  
 .XXX ±  
 ANG ±

PJECTION



ORDER INFORMATION

DCJ-W15R-xx-LF



DESCRIPTION: