

NOTE :

- * Material : Nylon UL 94V-0
- * Standard color : Black
- * Electrical rating : 600V 50A ,AC/DC
- * 2-6 circuits available

Circuits	Part No.	Dim. A	Dim. B
2	MFS-PH-1X02	10.00	31.30
3	MFS-PH-1X03	20.00	41.30
4	MFS-PH-1X04	30.00	51.30
5	MFS-PH-1X05	40.00	61.30
6	MFS-PH-1X06	50.00	71.30

RoHS Compliant

TOLERANCES ARE

MORETHANALL
PCB CONNECTORS
Cable ASSEMBLIES

DRAWING BY CY

CHECKED BY GENIUS

UNIT / mm

SCALE 1 : 1

DATE

SIZE A4

X, ±
.X ± 0.30
.XX ± 0.20
.XXX ± 0.10
ANG ±

PJECTION



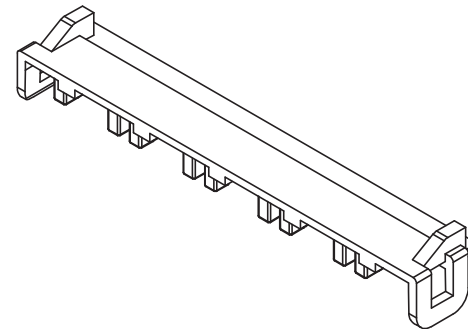
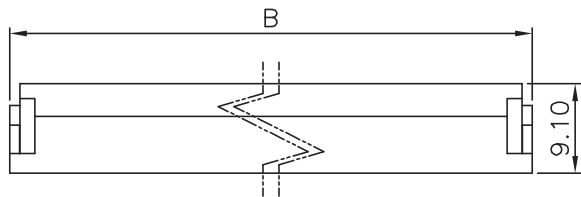
ORDER INFORMATION

MFS-PH-1Xxx-LF
SERIES | LEADFREE
| 1X02:02 WAY
| 1X06:06 WAY
HOUSING
MALE

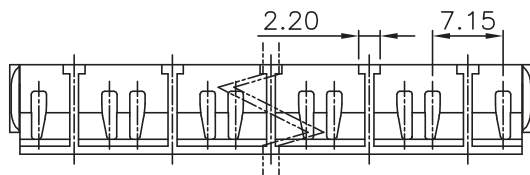
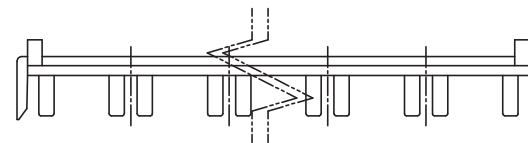
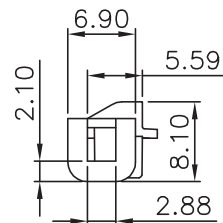
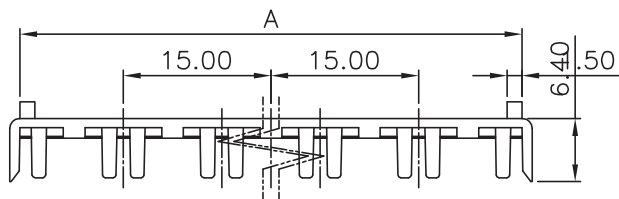
煜倫股份有限公司

www.morethanall.com

DESCRIPTION:



NOTE :
 * Material : Nylon UL 94V-0
 * Standard color : Black
 * 2-6 circuits available



Circuits	Dim. A	Dim. B
2	21.00	23.10
3	31.00	33.10
4	41.00	43.10
5	51.00	53.10
6	61.00	63.10

RoHS Compliant

TOLERANCES ARE

MORETHANALL
 PCB CONNECTORS
 Cable ASSEMBLIES

DRAWING BY CY

X, ±
 .X ± 0.30
 .XX ± 0.20
 .XXX ± 0.10
 ANG ±

CHECKED BY GENIUS

UNIT / mm SCALE 1 : 1

DATE

SIZE A4

PJECTION



ORDER INFORMATION

MFS-PH-1Xxx-LF
 SERIES | LEADFREE
 | 1X02:02 WAY
 | 1X06:06 WAY
 HOUSING
 MALE

煜倫股份有限公司

www.morethanall.com

DESCRIPTION: 10.00mm Wire to Board