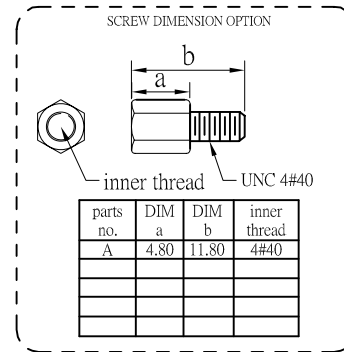
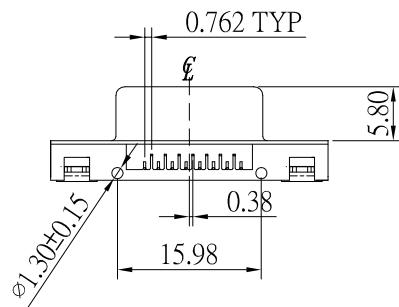
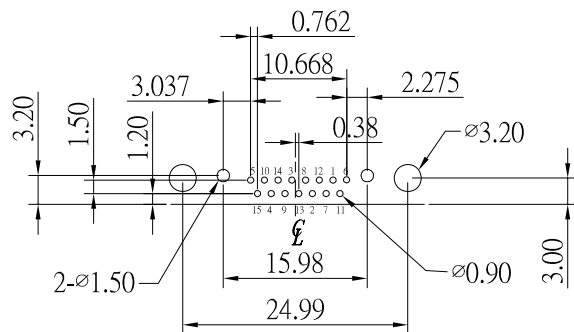


MATERIAL  
 HOUSING : PBT (UL94V-0) RATED Black  
 CONTACTS : BRONZE.  
 PLATING : SELECTIVE GOLD PLATED.

SPECIFICATION  
 CURRENT RATING : 1AMP.  
 INSULATOR RESISTANCE: 5000MΩ MIN. AT DC 500V.  
 CONTACT RESISTANCE : 20MΩ MAX. AT DC 100mA.  
 OPERATING TEMPERATURE : -65°C~+125°C.  
 MAX PROCESSING TEMPERATURE: 220°C FOR 3~6 SECONDS.



parts no.	DIM a	DIM b	inner thread
A	4.80	11.80	4#40



RECOMMENDED P.C.B. LAYOUT

RoHS Compliant

TOLERANCES ARE

**MORETHANALL**  
 PCB CONNECTORS  
 Cable ASSEMBLIES

DRAWING BY CY

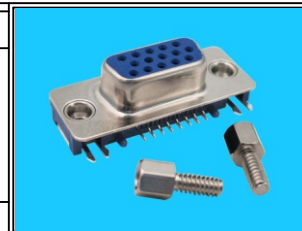
CHECKED BY GENIUS

UNIT / mm SCALE 1 : 1

DATE

SIZE A4 PPROJECTION

X, ±  
 .X ± 0.30  
 .XX ± 0.20  
 .XXX ± 0.50  
 ANG ± 3°



ORDER INFORMATION

HDR12-SNZ1H-15-LF  
 SERIES | | | LEADFREE  
 | | | 15WAY  
 FEMALE | CLIP | HEX SCREW  
 | | | NUT

DESCRIPTION: D-SUB SLIM DIP TYPE (1.20mm) HD15 F Dual Level=1.50mm(7/8 Pin)

煜倫股份有限公司

www.morethanall.com