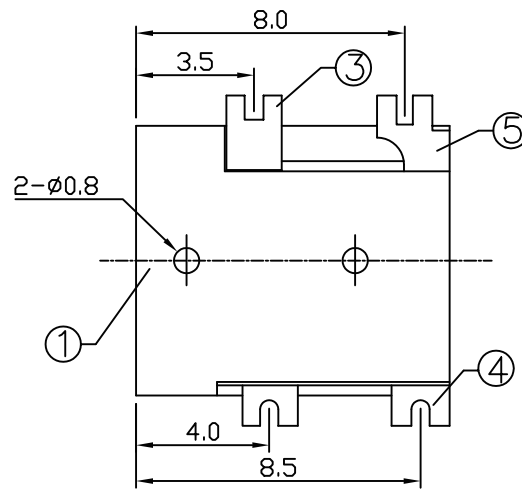
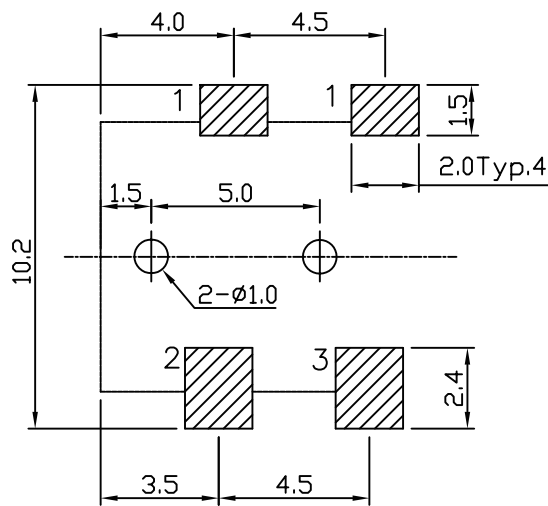
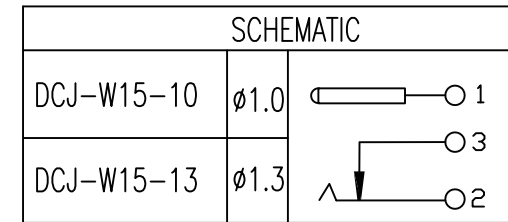


5	CURVE PIECE	1	BRASS	MB:Cu Ag	PLATED
4	CONTACT FOOT	1	BRASS	MB:Cu Ag	PLATED
3	SPRING	1	ALDARY	MB:Cu Ag	PLATED
2	PIN	1	BRASS	MB:Cu Ni	PLATED
1	HOUSING	1	PBT/PA66/PA46		
LTR	PART NAME	QTY	MATERIAL	REMARK	



T:1.6 Dimensions of PC board holes
Tolerance : ±0.1(Printed-top view)

UNLESS OTHERWISE SPECIFIED, TOLERANCE ON DECIMAL: ±0.2

RoHS Compliant

TOLERANCES ARE

MORETHANALL
PCB CONNECTORS
Cable ASSEMBLIES

煜倫股份有限公司

www.morethanall.com

DRAWING BY CY

CHECKED BY GENIUS

UNIT/mm

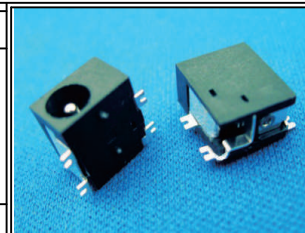
SCALE 1:1

DATE

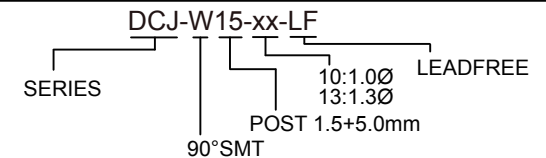
SIZE A4

PJECTION

X. ±
.X ±
.XX ±
.XXX ±
ANG ±



ORDER INFORMATION



DESCRIPTION: DC POWER JACK