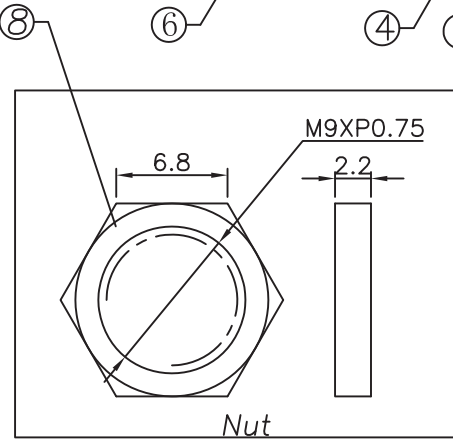
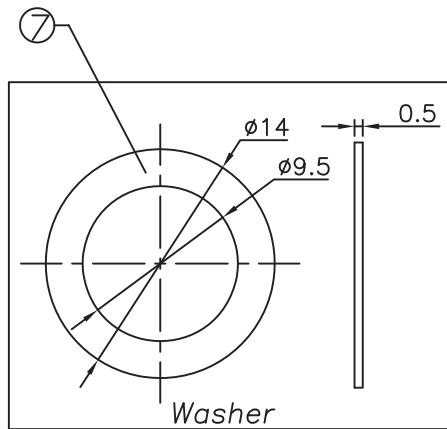
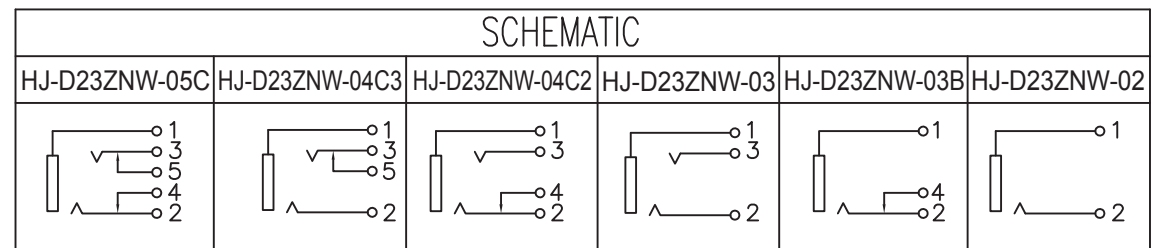


T:1.6 Dimensions of PC board holes  
Tolerance : ±0.1(Printed-top view)



8	NUT	1	C2680	MB:Cu	Ni	PLATED
7	WASHER	1	IRON	MB:Cu	Ni	PLATED
6	HOUSING	1	PA66	UL-94HB		
5	CURVE PIECE	1	C2680	MB:Ni	Ag	PLATED
4	SPRING	1	C5191	MB:Ni	Ag	PLATED
3	CURVE PIECE	1	C2680	MB:Ni	Ag	PLATED
2	SPRING	1	C5191	MB:Ni	Ag	PLATED
1	CONTACT FOOT	1	C5191	MB:Ni	Ag	PLATED
LTR	PART NAME	QTY	MATERIAL	REMARK		



UNLESS OTHERWISE SPECIFIED, TOLERANCE ON DECIMAL: ±0.3

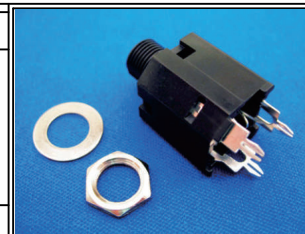
RoHS Compliant

TOLERANCES ARE

**MORETHANALL**  
PCB CONNECTORS  
Cable ASSEMBLIES  
**煜倫股份有限公司**

DRAWING BY CY  
CHECKED BY GENIUS  
UNIT/mm SCALE 1:1  
DATE

X.±  
.X±  
.XX±  
.XXX±  
ANG±



ORDER INFORMATION

HJ-D23ZNW-xxx-LF  
SERIES BODY HIGH 23.0mm NUT CLIP SCHEMATIC WASHER LEADFREE

www.morethanall.com

SIZE A4 PPROJECTION

DESCRIPTION: PHONE JACK