

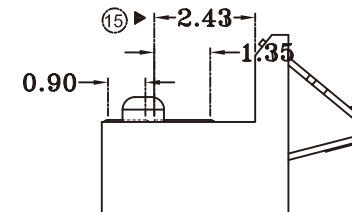
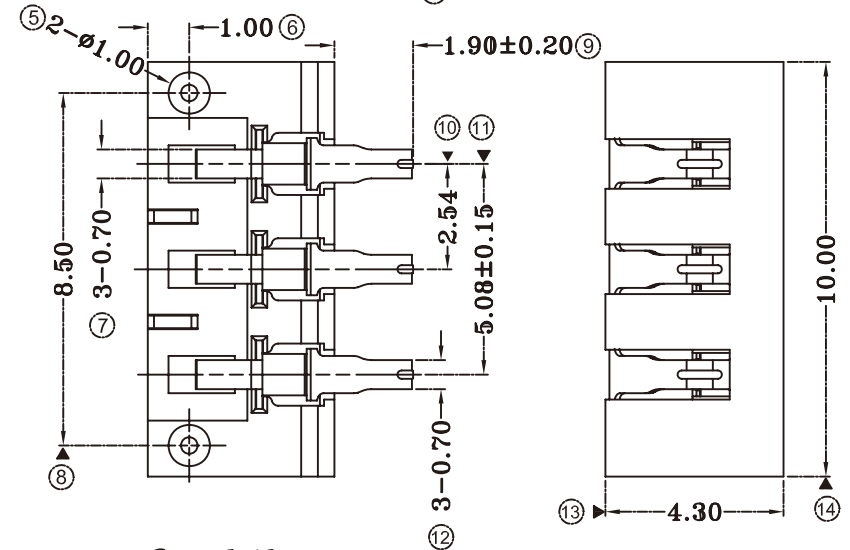
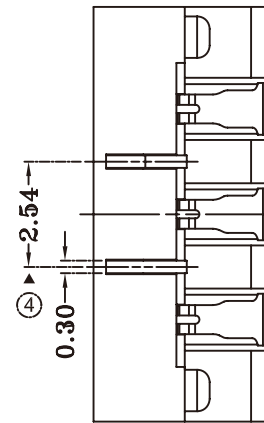
NOTE:

1.MATERIALS:

- a.HOUSING:LCP+30%GF UL94 V-0
- b.TERMINAL COPPER ALLOY THICKNESS=0.15mm
- c.RETENTION PAD:BRASS,T=0.30mm

2.ELECTRICAL

- a.CURRENT RATING:0.5A 50V AC/DC.
- b.CONTACT RESISTANCE:60mΩ MAX AT DC 20mA.
- c.INSULATION RESISTANCE:500MΩ MIN AT 500V DC.
- d.DIELECTRIC WITHSTANDING VOITAGE:500V AC FOR 1 MINUTE.
- e.OPERATING TEMPERATURE RANGE:-25℃TO +85℃.



RoHS Compliant

MORETHANALL
PCB CONNECTORS
Cable ASSEMBLIES

煜倫股份有限公司

www.morethanall.com

DRAWING BY CY

CHECKED BY GENIUS

UNIT/mm SCALE 1:1

DATE

SIZE A4

TOLERANCES ARE

X ±
.X ± 0.25
.XX ± 0.15
.XXX ±
ANG ±

PPOJECTION



ORDER INFORMATION

BCS26-W22EP2R-03-LF

SERIES | | | | LEADFREE
| | | | 03WAY
| | | | REEL
| | | | POST
90°SMT | | | EAR
| | | | HIGH 2.2mm

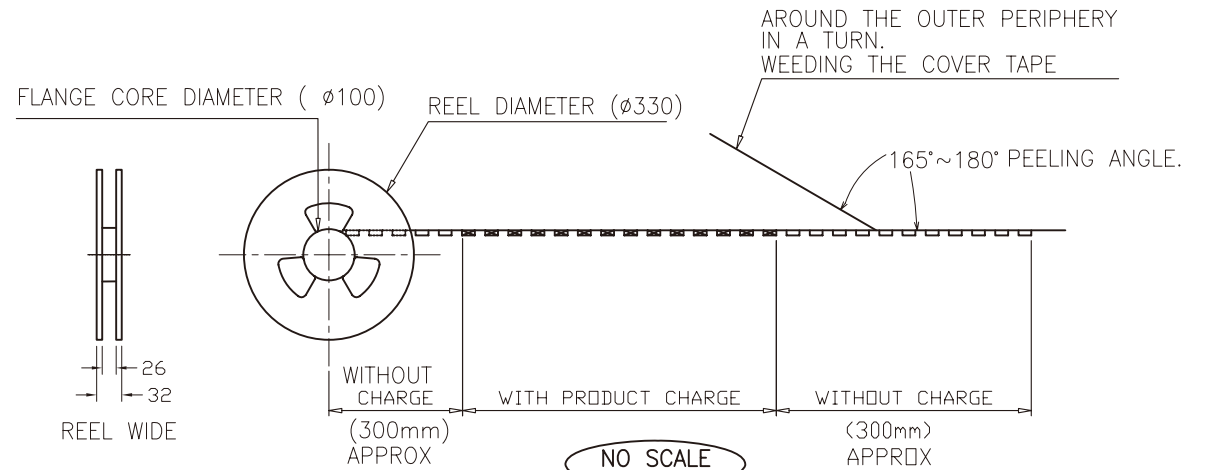
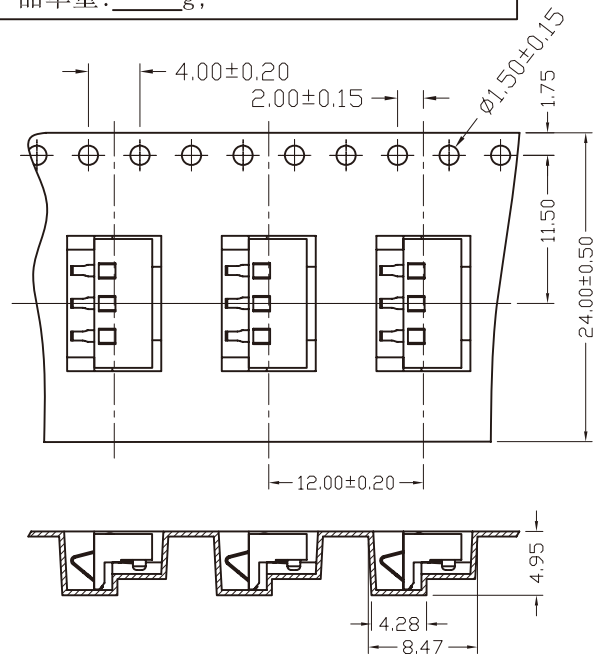
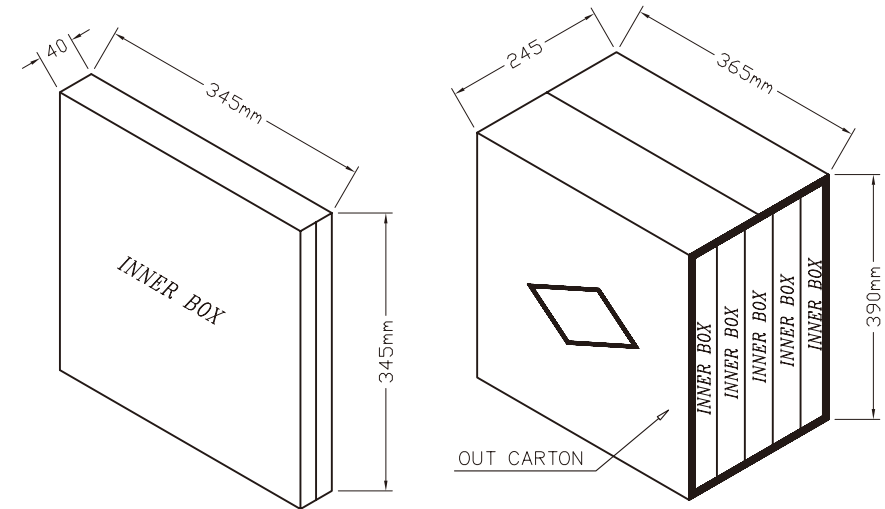
DESCRIPTION: 3P BATTERY SMT 樣式 (2.54 PH,4.3H)

品名: 3PIN BATTERY SMT (2.54 PH,4.3H)			
项目	名称	规格(mm)	用量
1	REEL包装带	24W*12P*4.95H	5卷
2	COVER TAPE	21.3W	5卷
3	包装盘	Ø330*32	5个
4	内纸箱	345*345*40	5个
5	外纸箱	390*365*245	1个
包装数量	1箱=1000PCS/盘*5盘=5000PCS		
包装重量	纸箱净重:730.68g	毛重:_____g;	
	内纸箱净重:121.11g	毛重:_____g;	
	盘子净重:424.534g	毛重:_____g;	
	产品单重:_____g;		

标签示意图:

订单编号	
品名	
料号	
数量	
出货日期	
品保员	
备注	

包装示意图:



注意事项:

1. 将产品的端子脚朝下装入REEL包装带中,再用COVER TAPE将之封好.每卷1000PCS,并贴上标签.
2. 将装好产品的卷盘装入纸箱并用胶带封好,再在纸箱外面的指定位置贴上标签.
3. 出现异常时应及时汇报上级主管.

RoHS Compliant

TOLERANCES ARE

MORETHANALL
PCB CONNECTORS
Cable ASSEMBLIES

DRAWING BY CY

X.±
.X±0.25
.XX±0.15
.XXX±
ANG±

CHECKED BY GENIUS

UNIT/mm SCALE 1:1

DATE

SIZE A4

PPOJECTION



ORDER INFORMATION

BCS26-W22EP2R-03-LF

SERIES | | | | LEADFREE
| | | | 03WAY
90°SMT | | | REEL
| | | | POST
| | | | EAR
| | | | HIGH 2.2mm

DESCRIPTION: 3P BATTERY SMT 测试 (2.54 PH,4.3H)

煜倫股份有限公司

www.morethanall.com