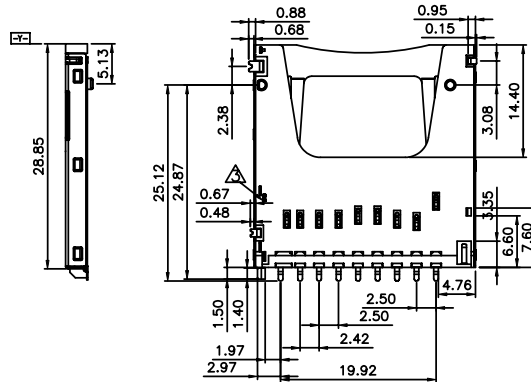
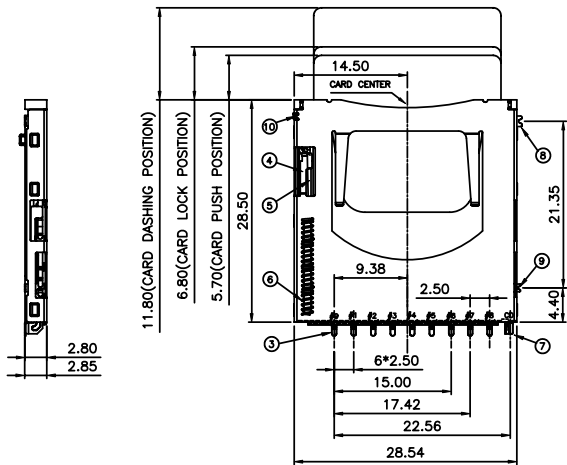
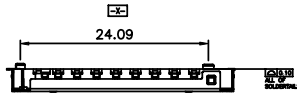
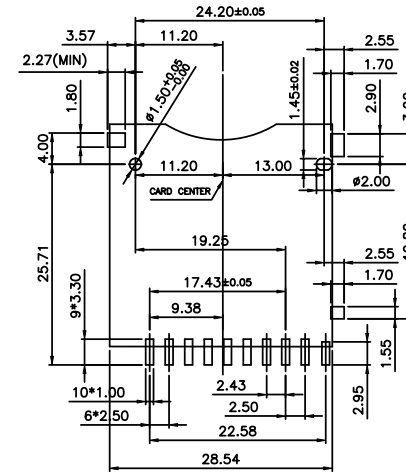


PIN DEFINE	
PAD NO.	MEMORY CARD
SD-01	SD-CD/DAT3
SD-02	SD-CMD
SD-03	SD-VSS
SD-04	SD-VDD
SD-05	SD-CLK
SD-06	SD-VSS
SD-07	SD-DAT0
SD-08	SD-DAT1
SD-09	SD-DAT2



ITEM	PARTS NAME	Q'TY	MATERIAL	FINISH/REMARK
項目	零件名稱	數量	材質	處理/備註
1	HOUSING	1	SYNTHETIC RESIN	BLACK
2	SHELL	1	STAINLESS	-
3	CONTACT-SD	1	COPPER ALLOY	5u"MIN. GOLD PLATING ON CONTACT AREA 80~100u"MIN. TIN PLATING
4	SLIDER CAM	1	SYNTHETIC RESIN	BLACK
5	CAM PIN	1	STAINLESS	-
6	SPRING	1	STAINLESS	-
7	DETECT CONTACT	1	COPPER ALLOY	5u"MIN. GOLD PLATING ON CONTACT AREA 80~100u"MIN. TIN PLATING
8	PROTECT CONTACT	1	COPPER ALLOY	50u"MIN. NICKEL UPDERPLATING OVERALL
9	SW CONTACT	1	COPPER ALLOY	5u"MIN. GOLD PLATING ON CONTACT AREA 1u"MIN. GOLD PLATING ON CONTACT TAIL 50u"MIN. NICKEL UPDERPLATING OVERALL
10	GND CONTACT	1	COPPER ALLOY	80~100u"MIN. TIN PLATING 50u"MIN. NICKEL UPDERPLATING OVERALL

POSITION OF CARD	WITHOUT CARD	CARD INSERTED WRITE PROTECT : LOCK	CARD INSERTED WRITE PROTECT : UNLOCK
CIRCUIT	WP SW	WP SW	WP SW
	CD SW	CD SW	CD SW



SPECIFICATION
MATERIAL
 See drawing
STANDARD DATA
 Rating current:0.5A
 Operating temperature: -35°C ~ +85°C
 Storage temperature: -40°C ~ +90°C
ELECTRICAL
 Insulator resistance: 1000M ohms Min. @ 100V DC
 Withstanding voltage: 500V AC/minute
 Contact resistance: 100 m ohms Max.
MECHANICAL
 INSERTION FORCE: 40N(4.08kgf) MAX.
 WITHDRAWAL FORCE: 2.0(0.21kgf) MIN.
 Durability: 10000 cycles Min.
 Contact retention force: 2.45N(0.25kgf) Min

RoHS Compliant

TOLERANCES ARE

MORETHANALL
PCB CONNECTORS
Cable ASSEMBLIES

煜倫股份有限公司

www.morethanall.com

DRAWING BY CY

CHECKED BY GENIUS

UNIT / mm SCALE 1 : 1

DATE

SIZE A4

X. ± 0.50

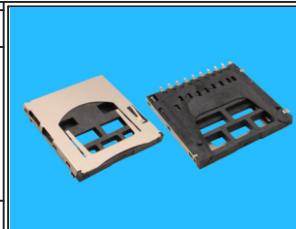
.X ± 0.30

.XX ± 0.20

.XXX ±

ANG ± 5°

PPOJECTION



ORDER INFORMATION

SDC-W24PB20B00-09-LF

SERIES LEADFREE

09WAY

0.0mm STANDOFF

90°SMT

EAR/POST 2.45mm

POST TO POST 24.0mm

B TYPE

PUSH PUSH

DESCRIPTION: SD CONNECTOR <<NORMAL TYPE>>