

**NOTE :**

- \* Material : Nylon UL 94V-0
- \* Standard color : Black
- \* Electrical rating : 600V 45A, AC/DC
- \* 2-6 circuits available

Circuits	Part No.	Dim. A	Dim. B
2	MFS-SH-1X02	10.00	23.50
3	MFS-SH-1X03	20.00	33.50
4	MFS-SH-1X04	30.00	43.50
5	MFS-SH-1X05	40.00	53.50
6	MFS-SH-1X06	50.00	63.50

**RoHS Compliant**

TOLERANCES ARE

**MORETHANALL**  
PCB CONNECTORS  
Cable ASSEMBLIES

煜倫股份有限公司

www.morethanall.com

DRAWING BY CY

CHECKED BY GENIUS

UNIT / mm SCALE 1 : 1

DATE

SIZE A4

X, ±

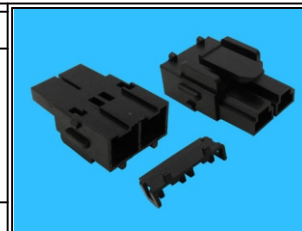
.X ±

.XX ±

.XXX ±

ANG ±

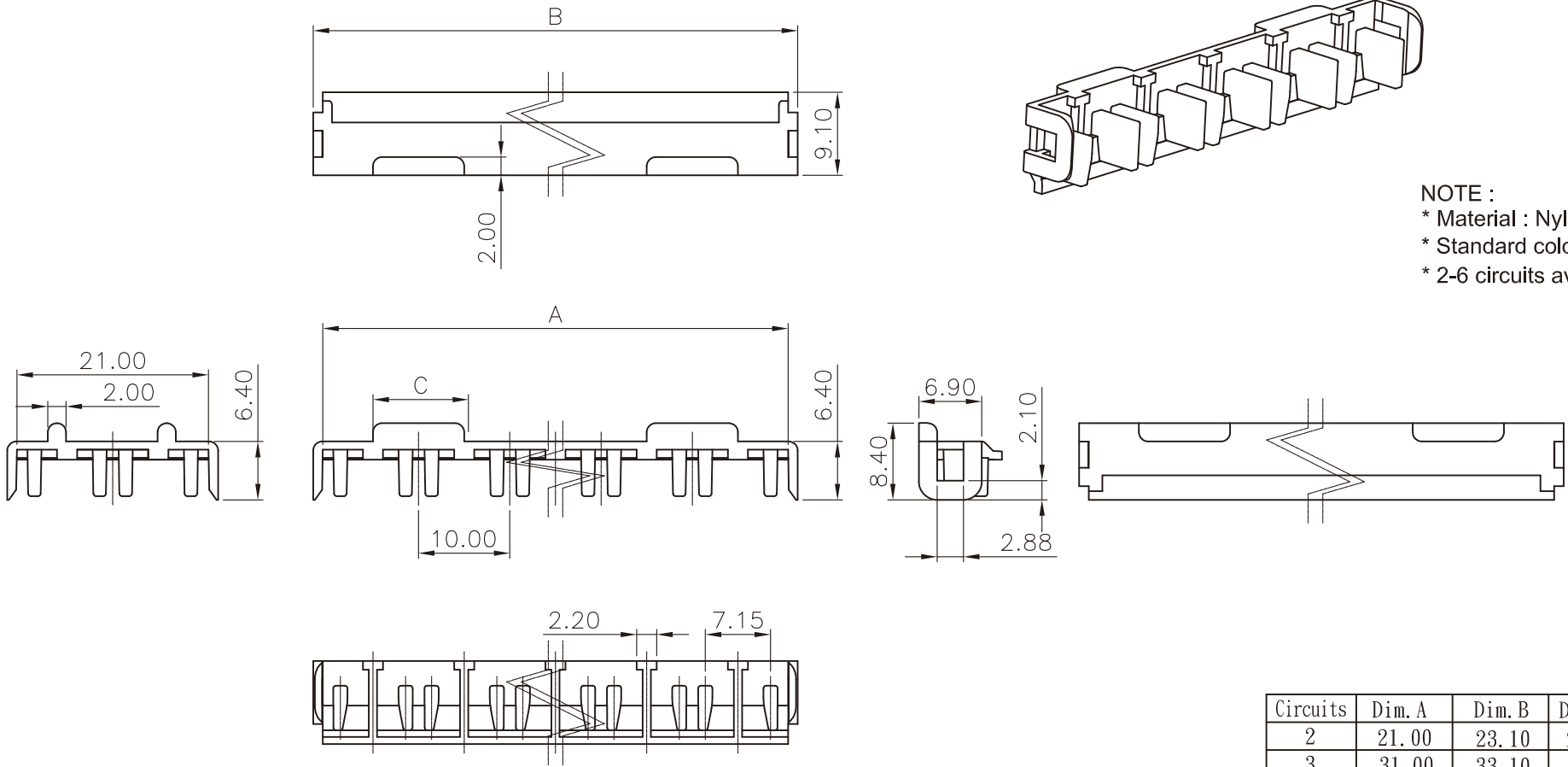
P PROJECTION



**ORDER INFORMATION**

MFS-SH-1Xxx-LF  
SERIES | LEADFREE  
1X02:02 WAY  
1X06:06 WAY  
HOUSING  
FEMALE

DESCRIPTION:



NOTE :  
 \* Material : Nylon UL 94V-0  
 \* Standard color : Black  
 \* 2-6 circuits available

Circuits	Dim. A	Dim. B	Dim. C
2	21.00	23.10	2.00
3	31.00	33.10	4.00
4	41.00	43.10	4.00
5	51.00	53.10	10.00
6	61.00	63.10	10.00

**RoHS Compliant**

TOLERANCES ARE

**MORETHANALL**  
 PCB CONNECTORS  
 Cable ASSEMBLIES

DRAWING BY CY

CHECKED BY GENIUS

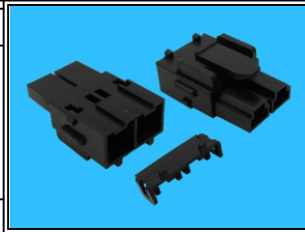
UNIT / mm SCALE 1 : 1

DATE

SIZE A4

X, ±  
 .X ±  
 .XX ±  
 .XXX ±  
 ANG ±

PJECTION



**ORDER INFORMATION**

**MFS-SH-1Xxx-LF**  
 SERIES | LEADFREE  
 | 1X02:02 WAY  
 | 1X06:06 WAY  
 HOUSING  
 FEMALE

**煜倫股份有限公司**

[www.morethanall.com](http://www.morethanall.com)

DESCRIPTION: 10.00mm Wire to Board