

# SPECIFICATIONS

## Material

Insulator : Nylon 6T, glass reinforced, rated UL 94V-0

Contact : Phosphor Bronze

## Electrical

Current Rating : 1 Amp

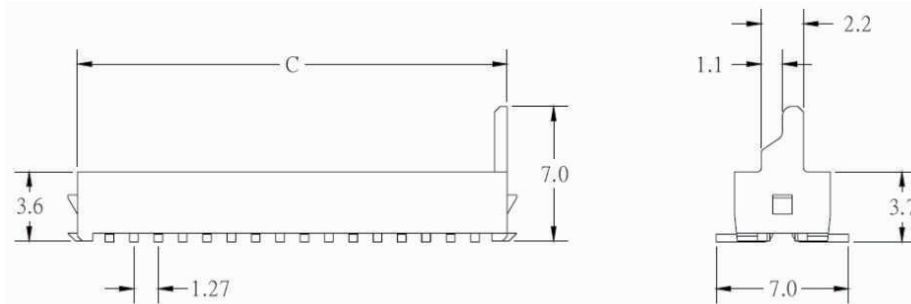
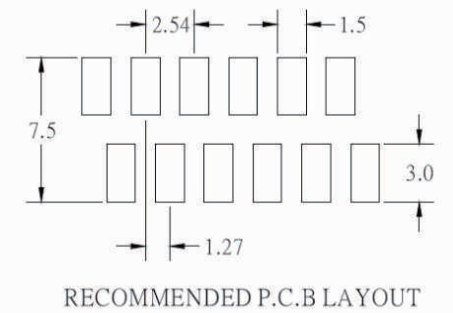
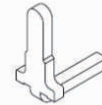
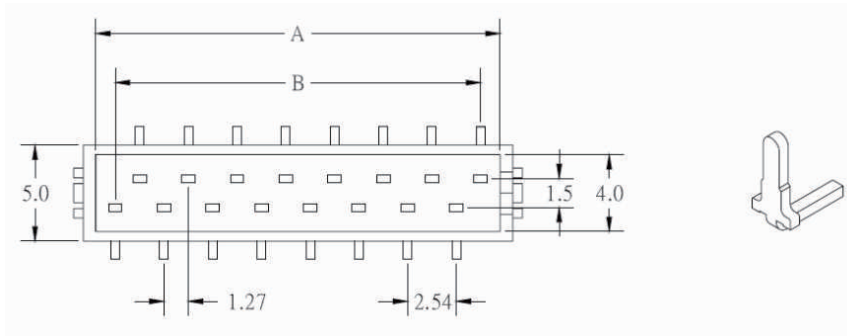
Contact Resistance : 30 mΩ max.

Insulation Resistance : 3000 MΩ min.

Dielectric Withstanding Voltage : 500V AC for 1minute

Operating Temperature : -40°C to +105°C

POSITION	A	B	C
4	5.84	3.81	7.16
6	8.38	6.35	9.70
8	10.92	8.89	12.24
10	13.46	11.43	14.78
12	16.00	13.97	17.32
14	18.54	16.51	19.86
16	21.08	19.05	22.40
18	23.62	21.59	24.94
20	26.16	24.13	27.48
22	28.70	26.67	30.02
24	31.24	29.21	32.56
26	33.78	31.75	35.10



RoHS Compliant

TOLERANCES ARE

**MORETHANALL**  
PCB CONNECTORS  
Cable ASSEMBLIES

煜倫股份有限公司

www.morethanall.com

DRAWING BY CY

CHECKED BY GENIUS

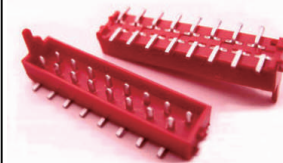
UNIT/ mm SCALE 1:1

DATE

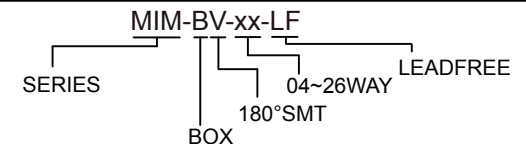
SIZE A4

PJECTION

X. ±  
.X ±  
.XX ±  
.XXX ±  
ANG ±



ORDER INFORMATION



DESCRIPTION: