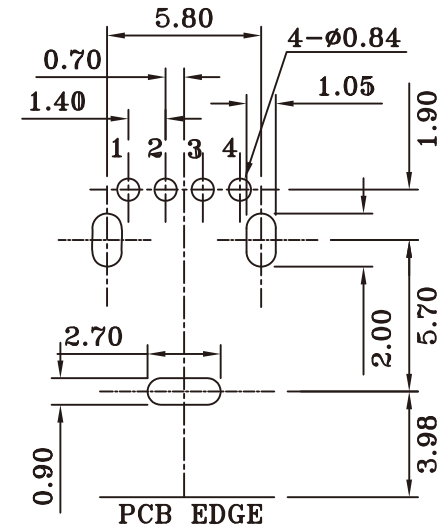
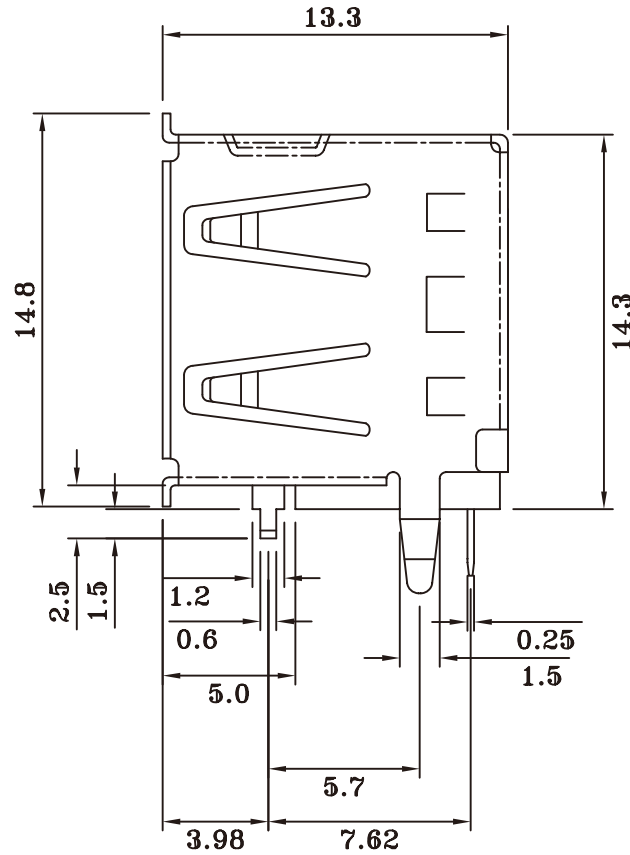
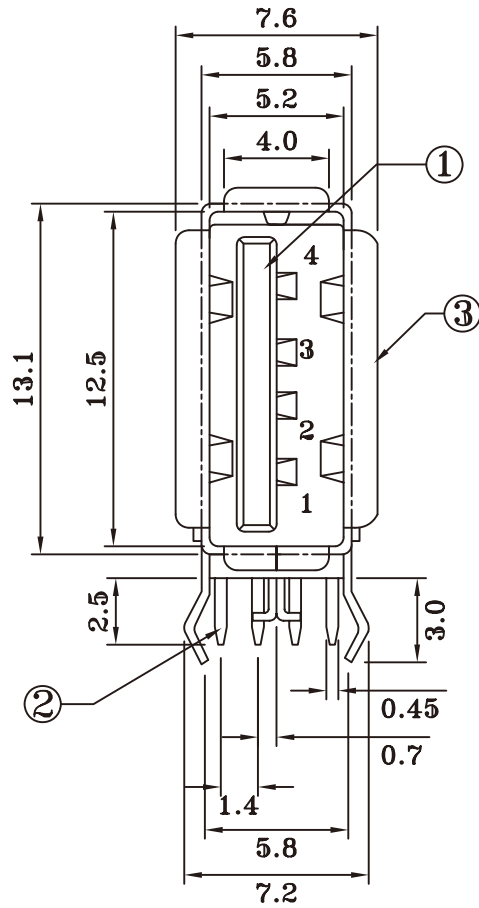


NO.	NAME	MATERIAL	FINISH	REMARK	Q'TY
1	HOUSING	NYLON PA9T G.F.	WHITE /		1
2	PIN TERM.	PBS T:0.25	GOLD/TIN PLATED	NI:1~1.5u;TIN:3u. GOLD:1~3u	4
3	SHELL	BRASS T:0.3	NICKEL PLATED	NI:2~3u	1



**RECOMMENDED PCB LAYOUT(TOP VIEW)**

**RoHS Compliant**

TOLERANCES ARE

**MORETHANALL**  
PCB CONNECTORS  
Cable ASSEMBLIES

DRAWING BY CY

CHECKED BY GENIUS

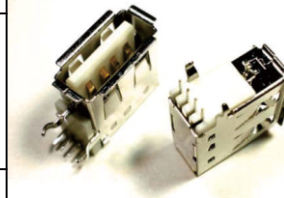
UNIT/mm SCALE 1:1

DATE

SIZE A4

X. ±  
.X ±  
.XX ±  
.XXX ±  
ANG ±

PJECTION



**ORDER INFORMATION**

USB-SU4WH-4A-LF  
SERIES | LEADFREE  
| 4 PIN A TYPE  
| WHITE  
| 4X01  
| UPRIGHT  
| FEMALE

DESCRIPTION: USB. TYPE A UPRIGHT 90° DIP

煜倫股份有限公司

www.morethanall.com