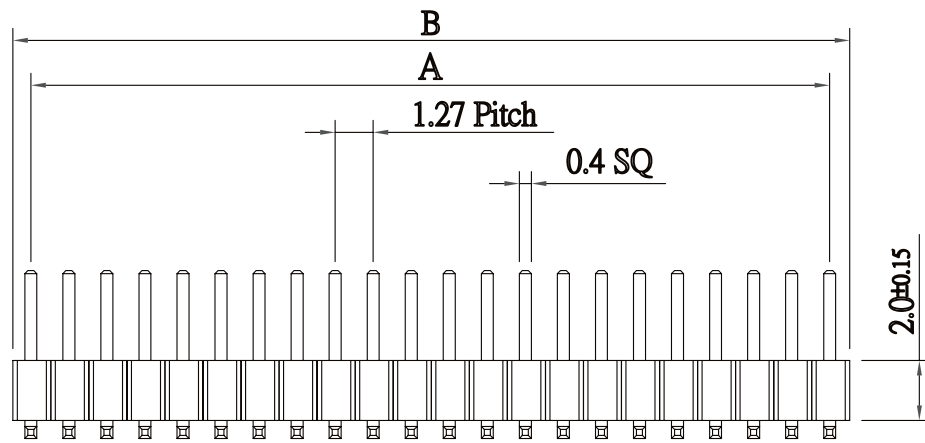
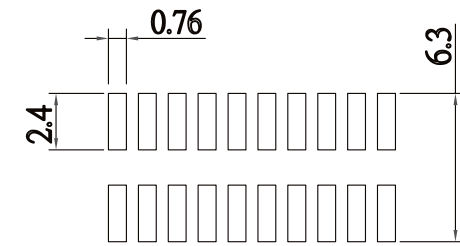
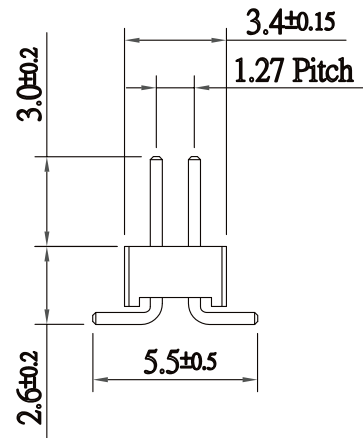


Conteract:
 Contact:Brass.
 Insuiator:Nylon 6T.
 Finish:Gold flash plated over nickel.



$A = 1.27 * (\text{NO of Positions} - 1)$
 $B = A + 1.27 \pm 0.3$



P.C.Board Layout

RoHS Compliant

TOLERANCES ARE



煜倫股份有限公司

www.morethanall.com

DRAWING BY CY

CHECKED BY GENIUS

UNIT / mm

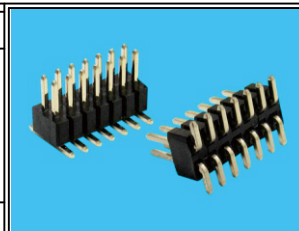
SCALE 1 : 1

DATE

SIZE A4

PPOJECTION

X, ±
 .X ±
 .XX ±
 .XXX ±
 ANG ±



ORDER INFORMATION

PA-V26X30-2Xxx-LF
 SERIES | | LEADFREE
 | | 2X02:04 WAY
 | | 2X50:100 WAY
 180°SMT | | CONTACT 3.0mm
 | | NON POST
 | | HIGH 2.6mm

DESCRIPTION: 1.27X1.27 PIN HEADER SMT DUAL ROW