

RECOMMENDED PCB LAYOUT

Notes:

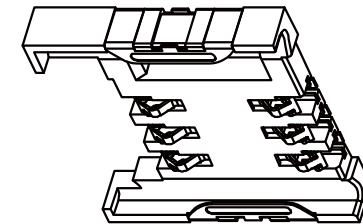
Material: Phosphor Bronze(C5191-H)
SIMM Card Connector,With Cover,Type 1,8 Pin

Physical:

Housing: LCP UL 94V-0
Contact: Selective Gold Flash

Specifications:

Voltage Current rating: 1A, 50V AC
Insulation Resistance: 1000Mohm Min
Contact Withstanding Voltage: AC 500V For 1 Minute
Temperature Rating: -40° To +85°
Packing: 750Pcs/Reel



RoHS Compliant

MORETHANALL
PCB CONNECTORS
Cable ASSEMBLIES

煜倫股份有限公司

www.morethanall.com

DRAWING BY CY

CHECKED BY GENIUS

UNIT/mm SCALE 1:1

DATE

SIZE A4

TOLERANCES ARE

X. ±
.X ± 0.25
.XX ± 0.15
.XXX ± 0.10
ANG ±

PJECTION



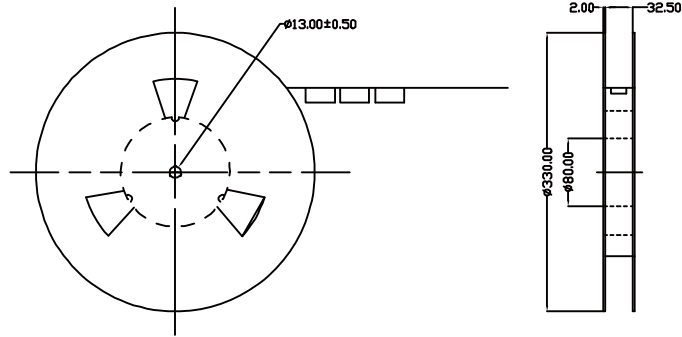
ORDER INFORMATION

SCU-W1029XR-06-LF

SERIES 180°SMT 06WAY LEADFREE
PAD TO PAD 10.8mm REEL
HIGH 2.9mm W/O LOCATING PEG

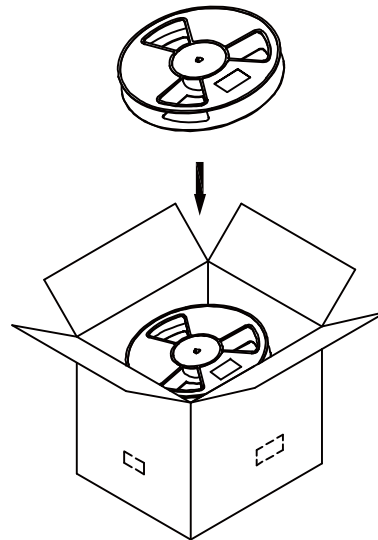
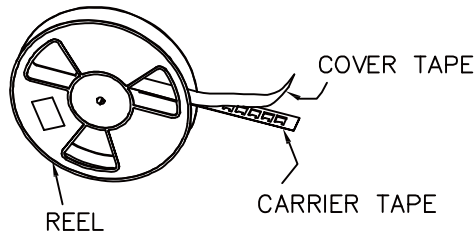
DESCRIPTION:

*Reel Form Diagram

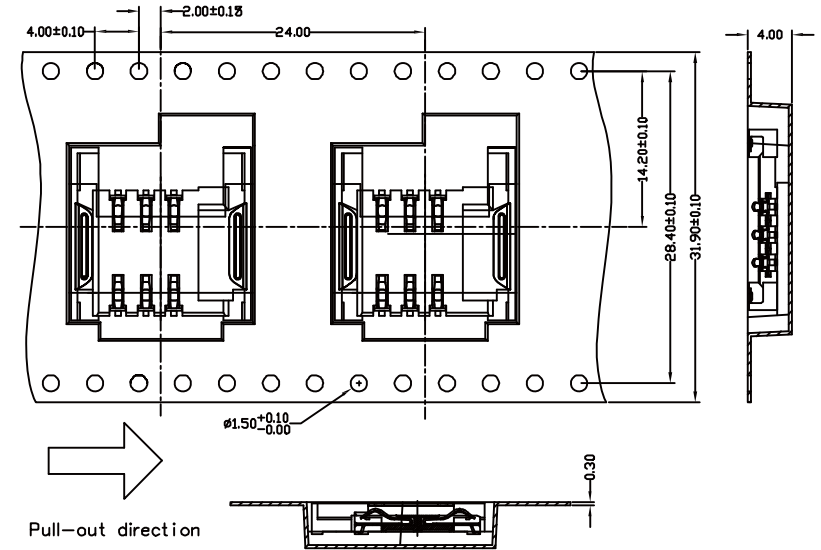


G.W.: 0.85 KGS
Q'ty: 750 pcs per Reel

PULL OUR DIRECTION →



*Carrier Dimensions Diagram



G.W.: 9.55KGS
Q'ty: 7500Pcs per carton(10 Reels set in order)
Meas: 35.00L x 35.00W x 31.50H cm

RoHS Compliant

MORETHANALL
PCB CONNECTORS
Cable ASSEMBLIES

煜倫股份有限公司

www.morethanall.com

DRAWING BY CY

CHECKED BY GENIUS

UNIT/mm SCALE 1:1

DATE

SIZE A4

TOLERANCES ARE

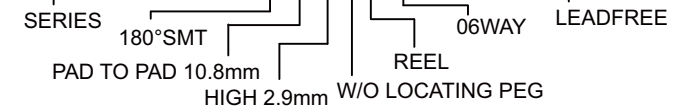
X, ±
.X ± 0.30
.XX ± 0.25
.XXX ± 0.15
ANG ±

P PROJECTION



ORDER INFORMATION

SCU-W1029XR-06-LF



DESCRIPTION: SIM CARD CONNECTOR 6PIN PACKING