

NOTES:

1. CURRENT RATING

A. TYPE-C: 8.0A MAX.

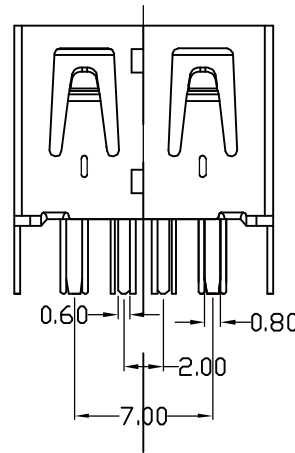
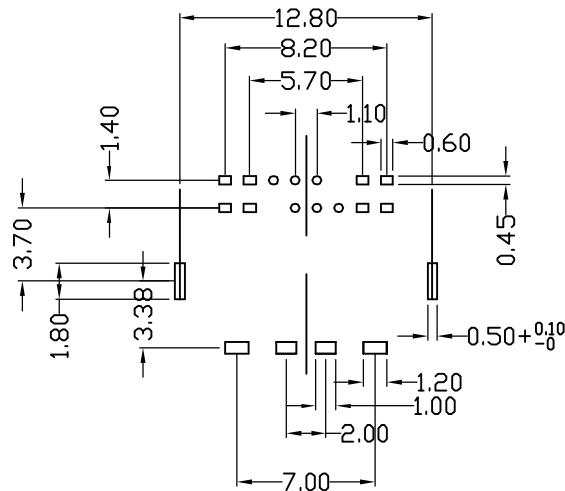
B. USB 2.0: 5.0A MAX.

2. WITHSTANDING VOLTAGE: 100V AC;

3. TEMPERATURE RANGE: -30C- 85C

4. CONTACT RESISTANCE: 40mΩ MAX;

5. INSULATION RESISTANCE: 100MΩ MIN;



RoHS Compliant

TOLERANCES ARE

**MORETHANALL**  
PCB CONNECTORS  
Cable ASSEMBLIES

DRAWING BY CY

X. ± 0.45

CHECKED BY GENIUS

.X ± 0.30

UNIT / mm

SCALE 1:1

.XX ± 0.20

DATE

.XXX ±

ANG ±

SIZE A4

P PROJECTION



ORDER INFORMATION

UBX2-FD-4A24C14-LF

SERIES

LEADFREE

4 PIN A TYPE TO 24P14C

DIP 180°

FEMALE

煜倫股份有限公司

www.morethanall.com

DESCRIPTION: UZQF!D!o!,!VTC!3!1!oB\*