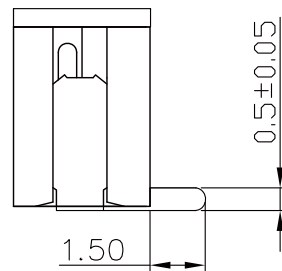
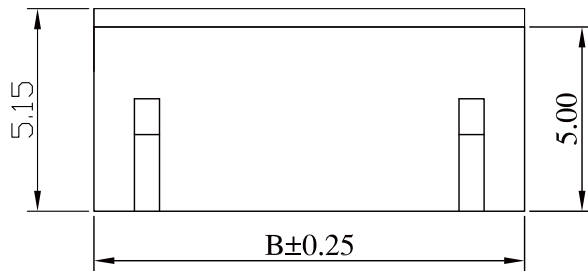


Recommad PCB Layout



SPECIFICATIONS

Current rating : 1A AC,DC
 Voltage rating : 100V AC,DC
 Temperature range : -25°C to +85 °C
 Contact resistance : 20mΩ Max.
 Insulation resistance : 500MΩ Min.
 Withstanding voltage : 500V AC/minute
 Material : Pin-Brass/Tin-plated
 Base-Nylon 9T UL94V-0

Ordering Information & Dimensions

Poles	Dimension (mm)			Part No.	Note.
	A	B	C		
2	1.50	6.00	3.60	ZH-VCR-02	
3	3.00	7.50	5.10	ZH-VCR-03	
4	4.50	9.00	6.60	ZH-VCR-04	
5	6.00	10.50	8.10	ZH-VCR-05	
6	7.50	12.00	9.60	ZH-VCR-06	
7	9.00	13.50	11.10	ZH-VCR-07	
8	10.50	15.00	12.60	ZH-VCR-08	
9	12.00	16.50	14.10	ZH-VCR-09	
10	13.50	18.00	15.60	ZH-VCR-10	
11	15.00	19.50	17.10	ZH-VCR-11	
12	16.50	21.00	18.60	ZH-VCR-12	
13	18.00	22.50	20.10	ZH-VCR-13	

RoHS Compliant

TOLERANCES ARE

MORETHANALL
 PCB CONNECTORS
 Cable ASSEMBLIES

DRAWING BY CY
 CHECKED BY GENIUS
 UNIT/mm SCALE 1:1
 DATE

X.±
 .X±
 .XX±
 .XXX±
 ANG±

煜倫股份有限公司

www.morethanall.com

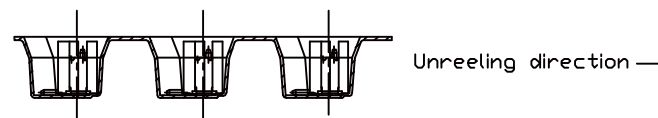
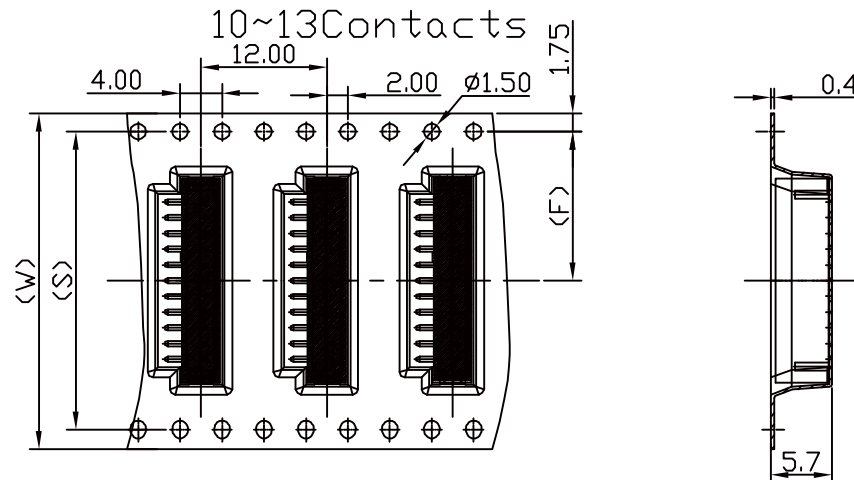
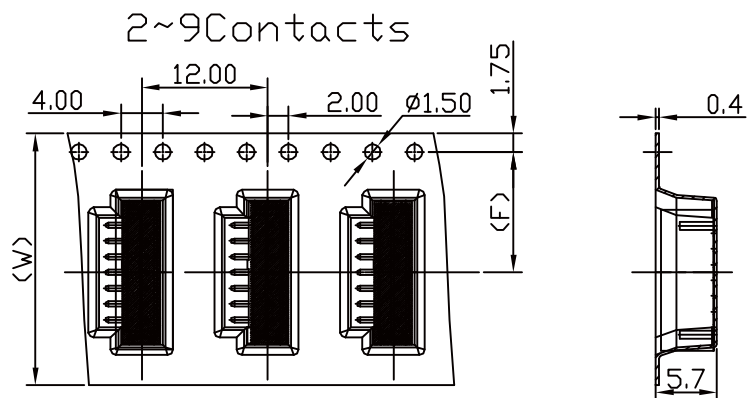
SIZE A4 PROJECTION



ORDER INFORMATION

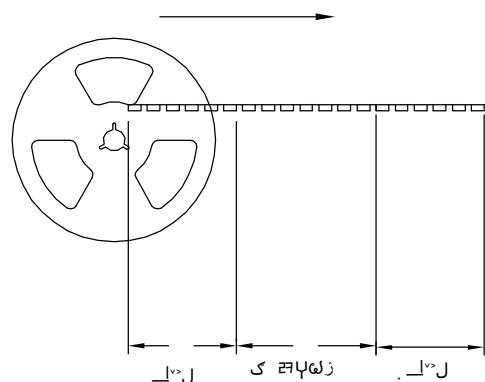
ZH-VCR-xx-LF
 SERIES | T | LEADFREE
 02-13WAY
 REEL
 MYLAR
 180°SMT

DESCRIPTION:



P=Poles	W	F	S	Q'TY/Reel
02	16	7.50		1000PCS
03	16	7.50		1000PCS
04	16	7.50		1000PCS
05	24	11.5		1000PCS
06	24	11.5		1000PCS
07	24	11.5		1000PCS
08	24	11.5		1000PCS
09	24	11.5		1000PCS
10	32	14.2		28.4
11	44	20.2	40.4	1000PCS
12	44	20.2	40.4	1000PCS
13	44	20.2	40.4	1000PCS

PULL OUT DIRECTION



RoHS Compliant

TOLERANCES ARE

MORETHANALL
PCB CONNECTORS
Cable ASSEMBLIES

DRAWING BY CY

CHECKED BY GENIUS

UNIT/mm

SCALE 1:1

DATE

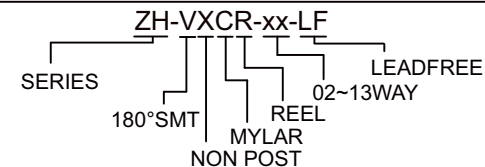
SIZE A4

P PROJECTION

X, ±
.X ± 0.30
.XX ± 0.20
.XXX ±
ANG ±



ORDER INFORMATION



DESCRIPTION: 2~9 10~13 180°SMT REEL MYLAR NON POST LEADFREE 02~13WAY

煜倫股份有限公司

www.morethanall.com