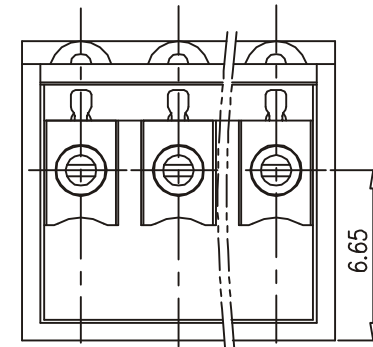
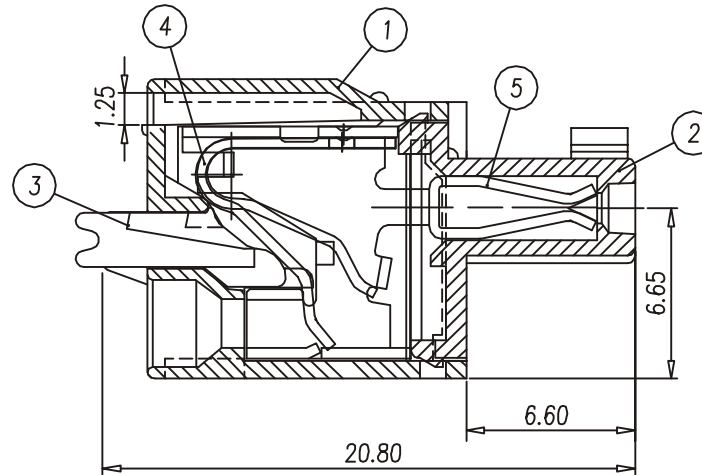


NOTES:

1. Rating: 300V 8A
PITCH: 3.81 mm
2. Insulation Withstands Voltage:
AC 2000V/MIN
3. Insulation Resistance:
500M Ω or more at DC500V
4. Using Temperature Range:
-40°C~+105°C
5. Suitable Electric Wire: 28~16 AWG
6. Undimensioned Tolerances:

—	∧	∇	0.05/10
⊥	//	≡	0.2/10
PITCH ERROR			0.05/10
UNDIMENSIONS TOLERANCES			±0.3

ITEM	NAME OF PART	Q'TY	MATERIAL	NOTES
5	SOLDER PIN	P	BRONZE	Sn Plated
4	CLAMP	P	SUS301-H	
3	LEVER	P	PA	ORANGE
2	COVER	1	PA	GREEN
1	HOUSING	1	PA	GREEN



RoHS Compliant

TOLERANCES ARE

MORETHANALL
PCB CONNECTORS
Cable ASSEMBLIES

DRAWING BY CY

CHECKED BY GENIUS

UNIT / mm

SCALE 1 : 1

DATE

SIZE A4

P PROJECTION

X. ±
.X ±
.XX ±
.XXX ±
ANG ±



ORDER INFORMATION

TBX035-SVCA-xx-LF

SERIES

LEADFREE
02-24WAY
A TYPE
CAGE
SCREW 180°
FEMALE

煜倫股份有限公司

www.morethanall.com

DESCRIPTION: