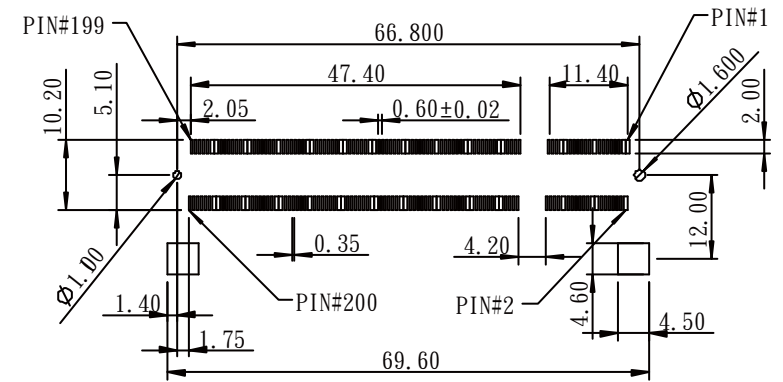
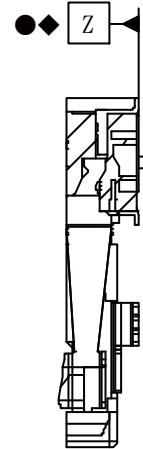


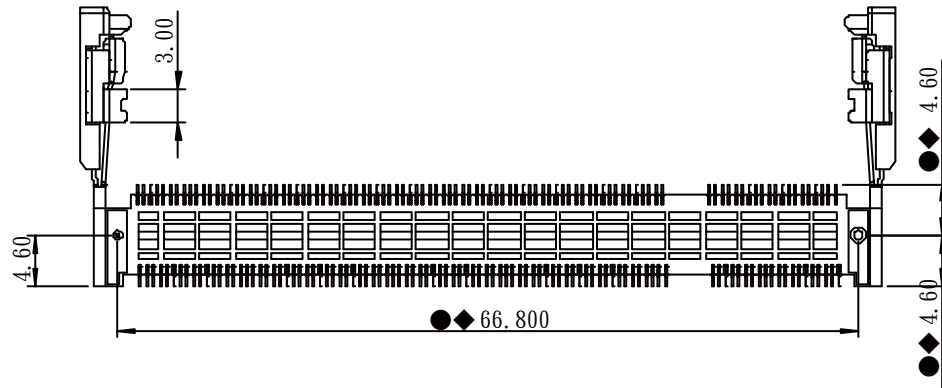
NOTE:

- SOLDERTAIL TO BE WITHIN 0.05 UPWARD AND 0.2 DOWNWARD FROM Z-DATUM PLACE, AND COPLANALITY OF SOLDERTAILS TO BE WITHIN 0.10. MEASUREMENT POINT IS SOLDERTAILS TIP.
- CONTACT PLATING: UNDERPLATE 50 μ" NICKEL, CONTACT AREA: GOLD 3 μ" SELECTIVE SOLDERTAILS AREA
- INSPECTION SYMBOL:
 ● : MANUFACTURER INSPECTION
 ◆ : Q. C INSPECTION



PCB LAYOUT : COMPONENT SIDE

A-A (2 : 1)



RoHS Compliant

TOLERANCES ARE

MORETHANALL
PCB CONNECTORS
Cable ASSEMBLIES

DRAWING BY CY

X, ±

CHECKED BY GENIUS

.X ±

UNIT / mm

SCALE 1 : 1

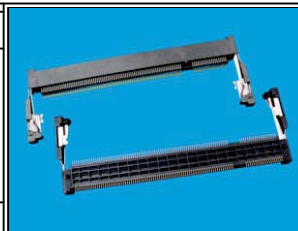
.XXX ±

DATE

ANG ±

SIZE A4

P PROJECTION



ORDER INFORMATION

SDM6-W52V25-40A6-LF

SERIES

LEADFREE

2.5V

HIGH:5.2mm

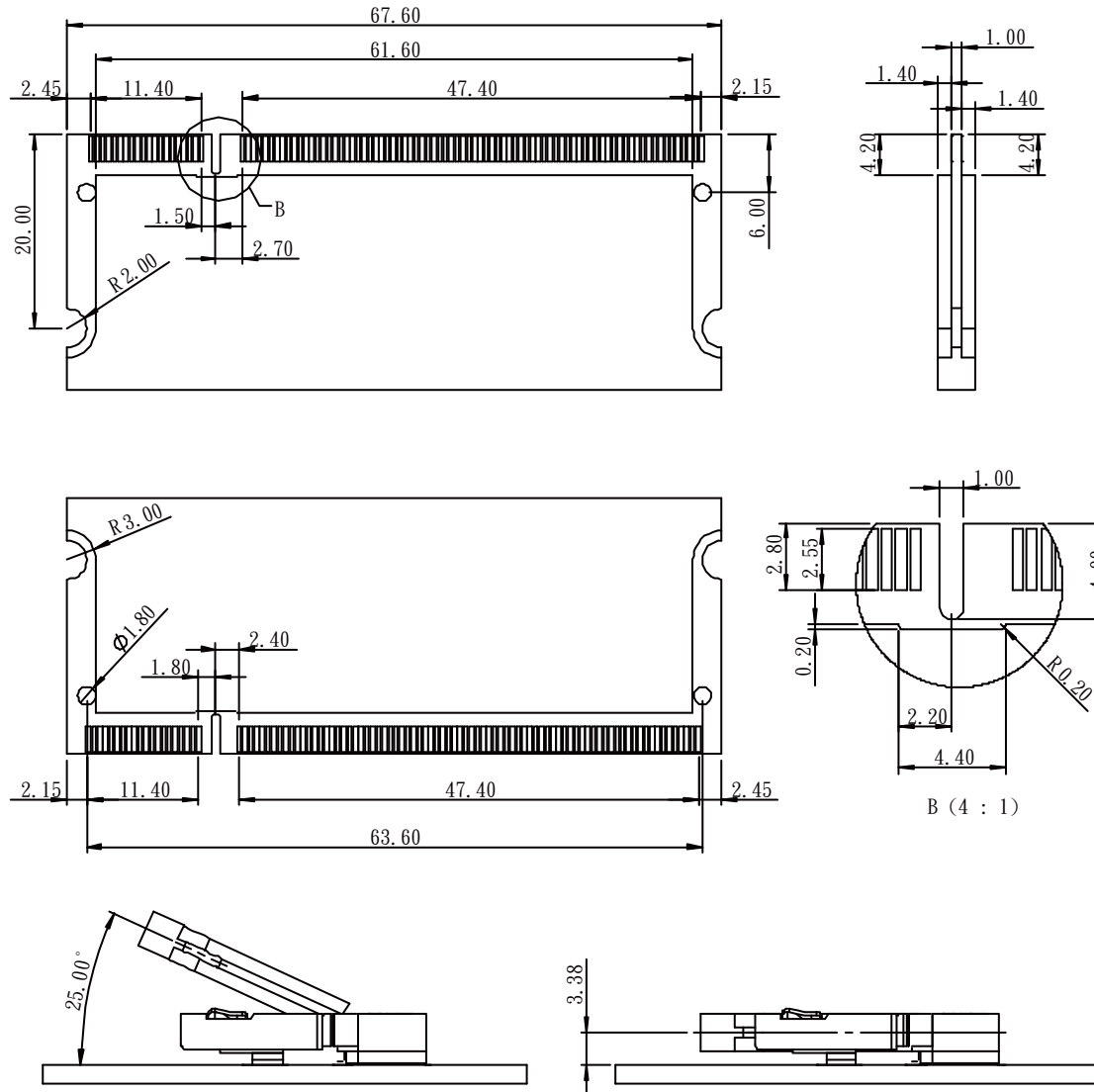
90°SMT

40+160 WAY

煜倫股份有限公司

www.morethanall.com

DESCRIPTION: DDR S.O. DIMM 200P ASSEMBLY



RoHS Compliant

TOLERANCES ARE

MORETHANALL
PCB CONNECTORS
Cable ASSEMBLIES

DRAWING BY CY

CHECKED BY GENIUS

UNIT / mm

SCALE 1 : 1

DATE

SIZE A4

X, ±
.X ±
.XX ±
.XXX ±
ANG ±

PJECTION



ORDER INFORMATION

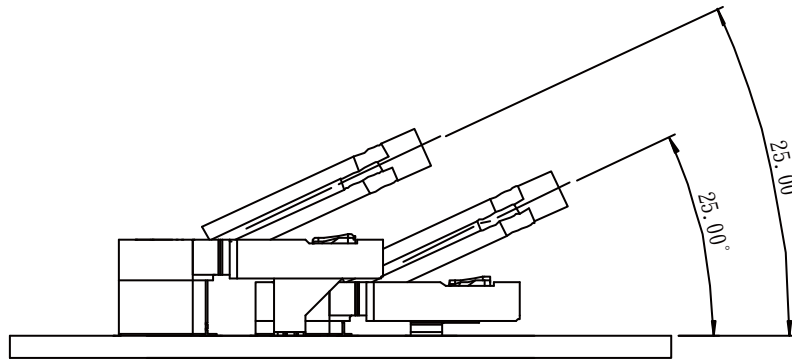
SDM6-W52V25-40A6-LF

SERIES | 2.5V | HIGH:5.2mm | 90°SMT | LEADFREE | 40+160 WAY

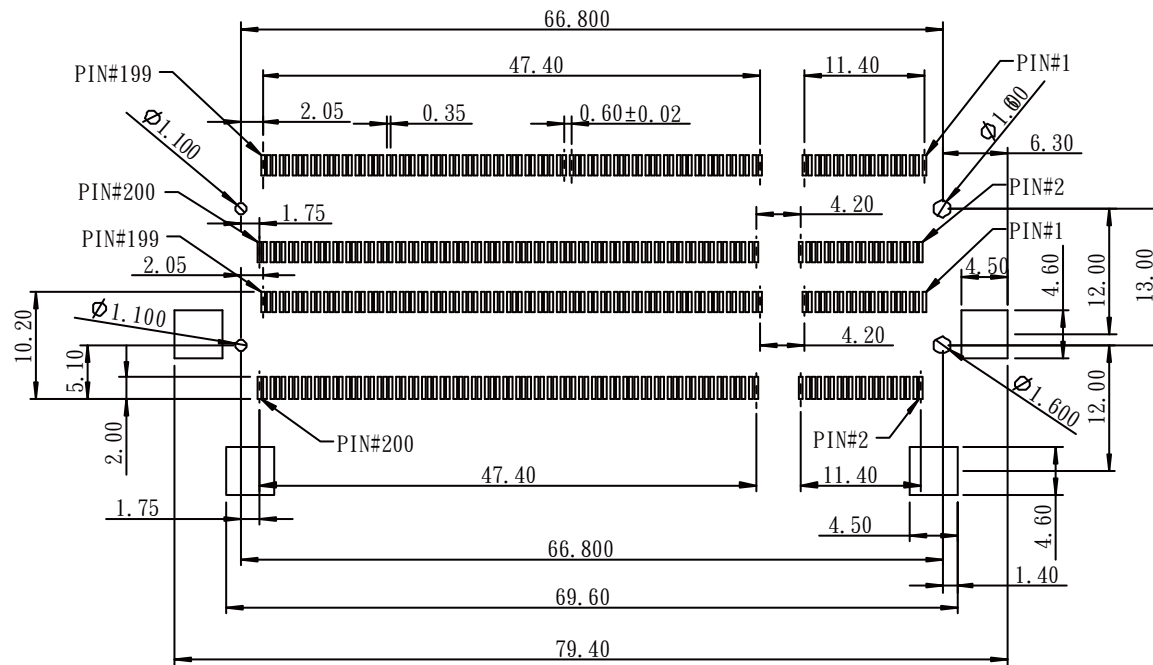
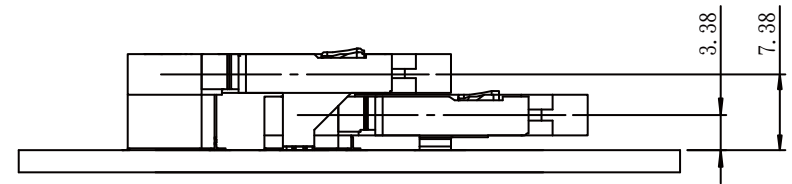
DESCRIPTION: DDR S.O. DIMM 200P ASSEMBLY

煜倫股份有限公司

www.morethanall.com



DDR S.O. DIMM 200P 5.2&9.2 OVERLAY FIGURE



PCB LAYOUT : COMPONENT SIDE(5.2&9.2TYPE)

RoHS Compliant

TOLERANCES ARE

MORETHANALL
PCB CONNECTORS
Cable ASSEMBLIES

DRAWING BY CY

X.±

CHECKED BY GENIUS

.X±

UNIT / mm

SCALE 1 : 1

.XX±

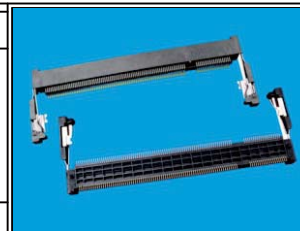
DATE

.XXX±

ANG±

SIZE A4

PJECTION



ORDER INFORMATION

SDM6-W52V25-40A6-LF

SERIES

LEADFREE

40+160 WAY

2.5V

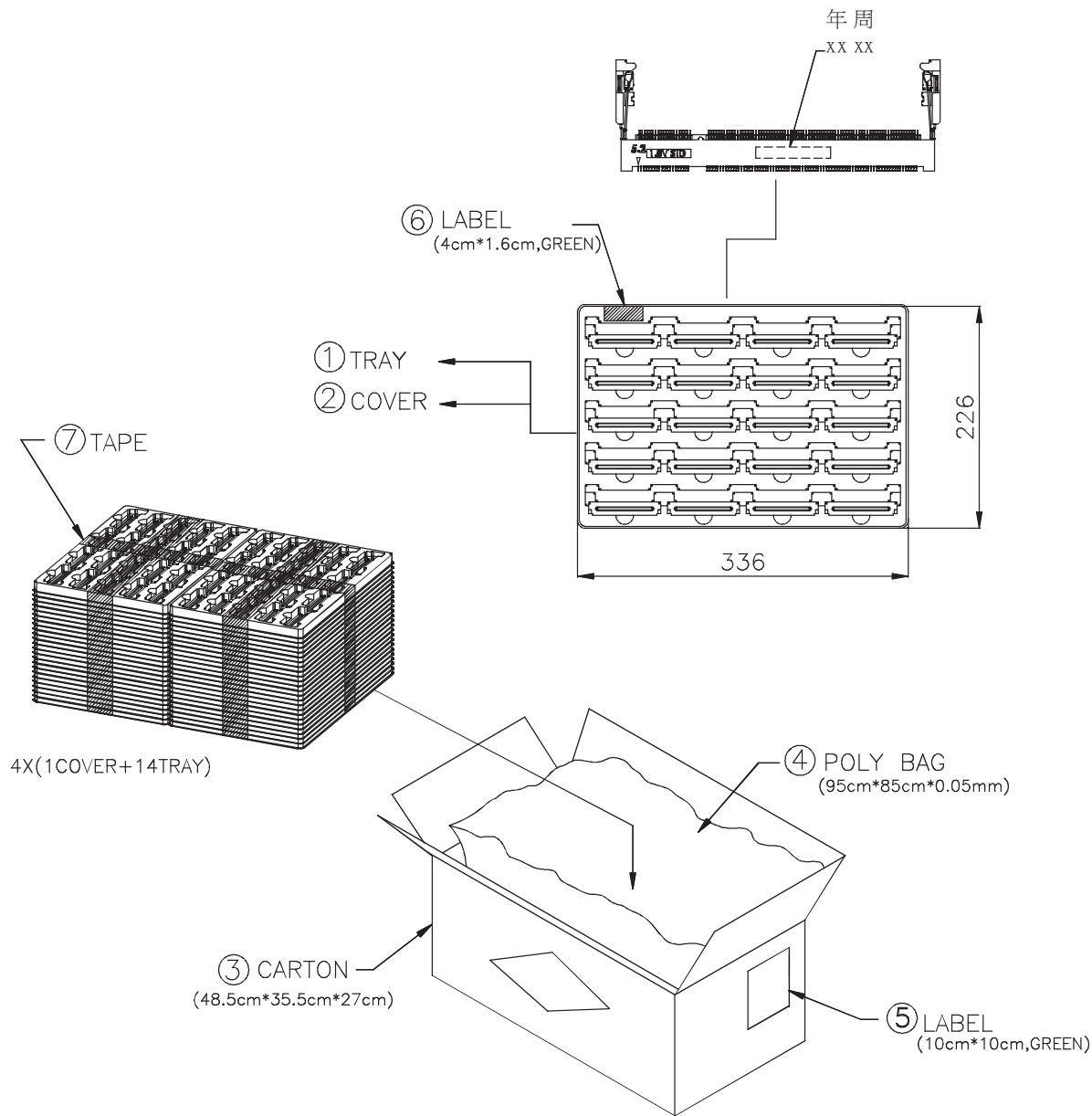
HIGH:5.2mm

90°SMT

煜倫股份有限公司

www.morethanall.com

DESCRIPTION: DDR S.O. DIMM 200P ASSEMBLY



	MATERIAL	P/N	REMARKS
1	TRAY	TRAY 070-001B	56 TRAY X 20PCS
2	COVER	TRAY 070-001B	4X(1COVER+14TRAY)
3	CARTON	CTN-1100D	CARTON/56 TRAYS/1120PCS
4	POLY BAG	P-0001	1 POLY BAG/CARTON
5	LABEL(for RoHS)	CTP-00004	1 LABEL/CARTON
6	LABEL(for RoHS)	CTB-00002	1 LABEL/TRAY
7	TAPE		

MORETHANALL
PCB CONNECTORS
Cable ASSEMBLIES

煜倫股份有限公司

www.morethanall.com

RoHS Compliant

DRAWING BY CY

CHECKED BY GENIUS

UNIT / mm

SCALE 1 : 1

DATE

SIZE A4

TOLERANCES ARE

X. ± 0.30

.X ± 0.20

.XX ± 0.10

.XXX ± 0.05

ANG ±

PJECTION



ORDER INFORMATION

SDM6-W52V25-40A6-LF

SERIES

2.5V

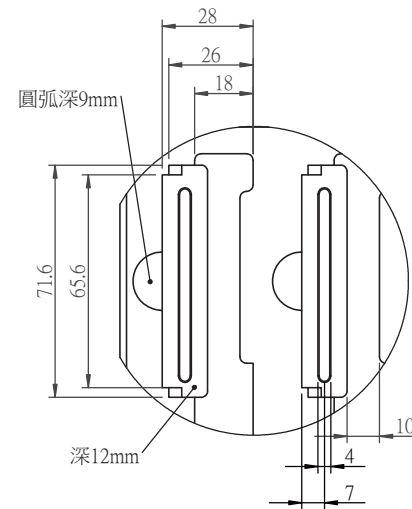
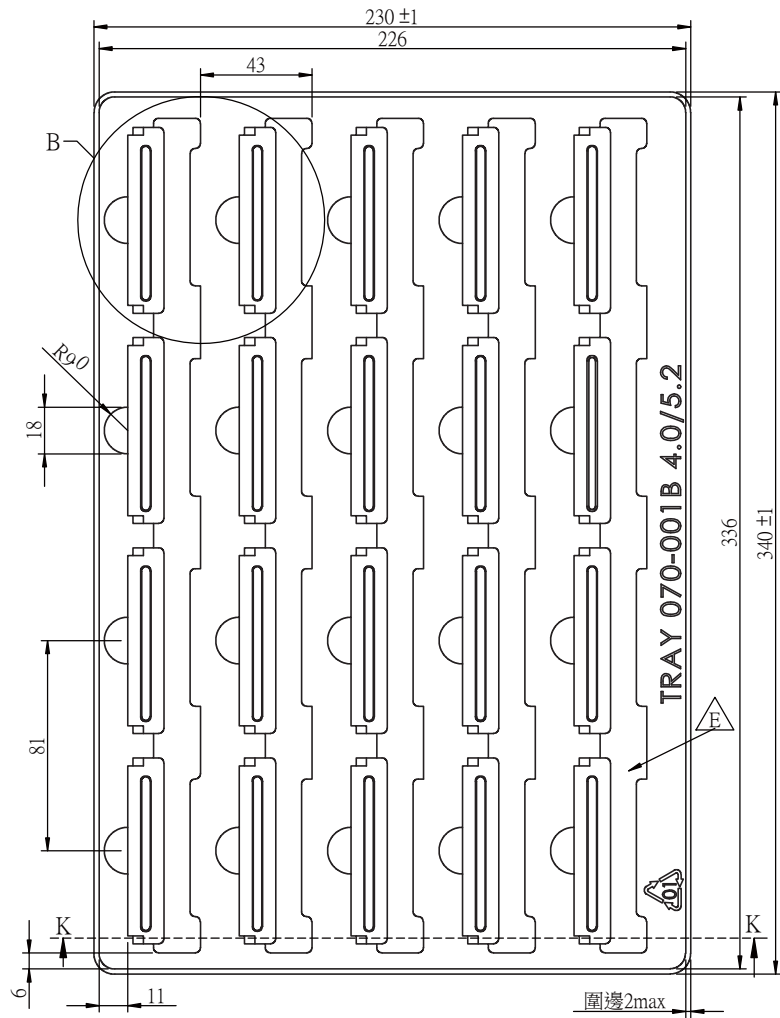
HIGH:5.2mm

90°SMT

LEADFREE

40+160 WAY

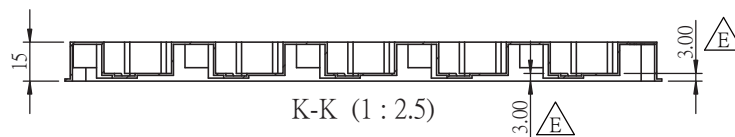
DESCRIPTION: PACKING INFORMATION



B (1 : 2)

注意事項：

1. ●:MANUFACTURER INSPECTION
2. ◆:Q.C INSPECTION
3. ●◆:內徑尺寸以成品實配檢驗
4. 材質：PET 符合無有害物質Concraft level 1,T=0.8MM
- 5.外觀檢測：外觀不可有臟污，壓傷，破損。
- 6.外觀毛邊必須小於1mm
- 7.成型厚度：每一面積不得小於0.4mm



MORETHANALL
PCB CONNECTORS
Cable ASSEMBLIES

煜倫股份有限公司

www.morethanall.com

RoHS Compliant

DRAWING BY CY

CHECKED BY GENIUS

UNIT / mm SCALE 1 : 1

DATE

SIZE A4

TOLERANCES ARE

X. ± 0.30

.X ± 0.20

.XX ± 0.10

.XXX ± 0.05

ANG ±

P PROJECTION



ORDER INFORMATION

SDM6-W52V25-40A6-LF

SERIES LEADFREE
40+160 WAY

2.5V
HIGH:5.2mm
90°SMT

DESCRIPTION: 070系列真空盤