

Technical Data:

Material:

- Contact(metal housing): Zinc Die Casting or Brass Machined(option)
- Terminal screw: Steel galvanized and achromatized
or Nickel plated or Tin plated(standard)(optian)
- Solder Pin: Brass with Tin plated
- Insulator body(housing): Polyamide(Glass filled)(UL94V-0)

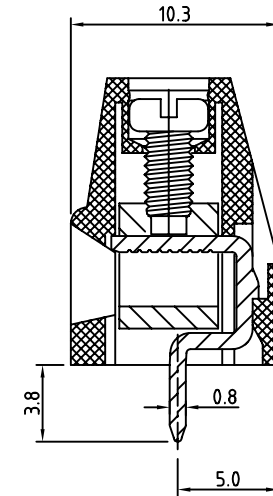
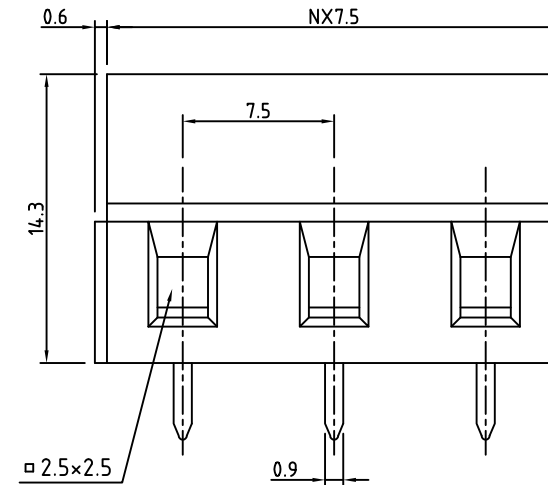
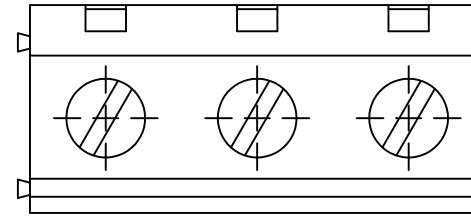
Electrical

- Voltage rating: 300VAC
- Current rating: 10 Amps/way max
- Contact resistance: 20mΩ(max)
- Insulation resistance: 5000MΩ/1000V
- Withstanding Voltage: 1500VAC(1min) Test time=60sec/1pcs
- Wire range: 12-22AWG

Mechanical:

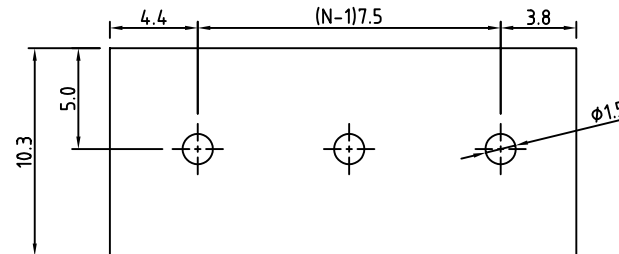
- Torque: 4kgf.cm/M2.5
- Operating temperature: -33°C to +120°C
- Soldering reliability:
Test temperature= 250°C±10°C
5 seconds max

Safety approval deta: 



N=Number of contacts

P.C.B LAYOUT



RoHS Compliant

TOLERANCES ARE



煜倫股份有限公司

www.morethanall.com

DRAWING BY CY

CHECKED BY GENIUS

UNIT / mm SCALE 1 : 1

DATE

SIZE A4

X, ±
.X ±
.XX ±
.XXX ±
ANG ±

PPOJECTION 



ORDER INFORMATION

TBH075-D14-xx-LF

SERIES | LEADFREE
02-24WAY
HIGH 14.3mm
DIP 180°

DESCRIPTION: