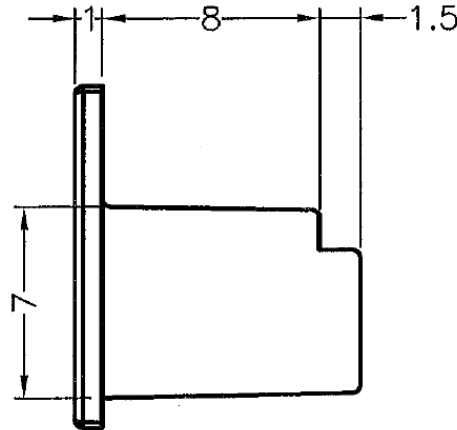
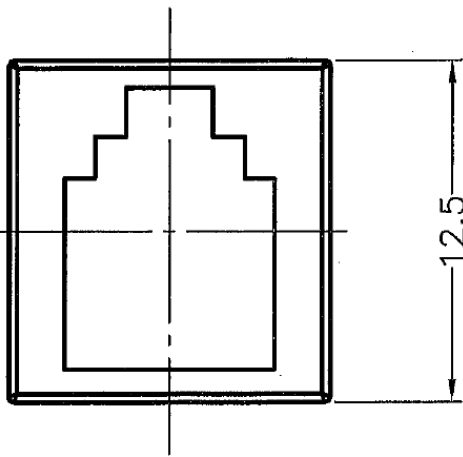


NOTE: It is common phenomenon that these parts are easy to receive pressure during the packing process, and it might cause a little deformed.

material: ABS  
color: white



**MORETHANALL**  
PCB CONNECTORS  
Cable ASSEMBLIES

煜倫股份有限公司

www.morethanall.com

RoHS Compliant

DRAWING BY CY

CHECKED BY GENIUS

UNIT / mm

SCALE 1:1

DATE

SIZE A4

TOLERANCES ARE

X. ±

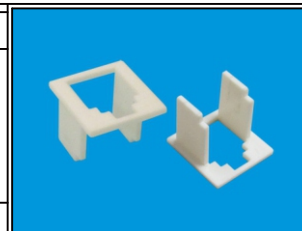
.X ±

.XX ±

.XXX ±

ANG ±

PJECTION



ORDER INFORMATION

RJ-JAD-0604-LF  
SERIES | LEADFREE  
ADAPTOR  
JACK  
6P TO 4P

DESCRIPTION: