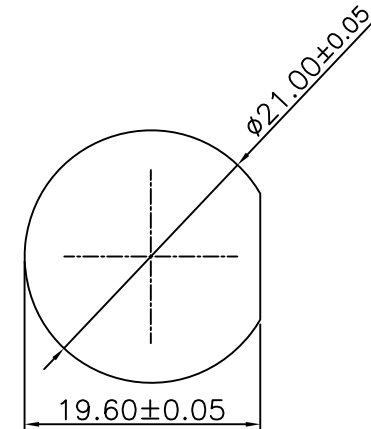
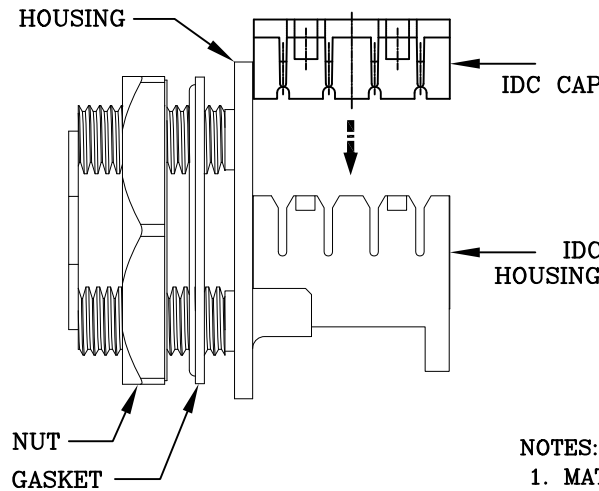
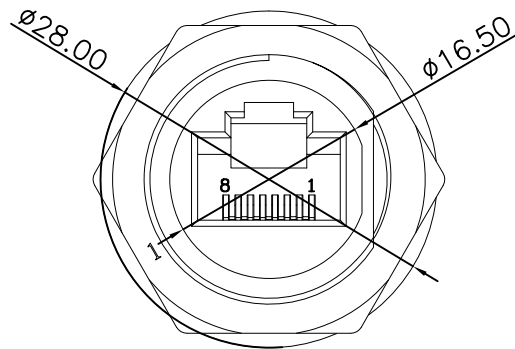


SPECIFICATIONS

Current rating : 1.5 Amps Max. @ 25°C.
 Voltage rating : 125 VAC MAX.
 Insulator resistance : 500M Ohms min .
 Contact resistance : 40 m ohm Max.
 Dielectric withstanding : AC 1000 V,RMS,60Hz for 1 minutes.
 Operating temperature : -0°C +80 °C
 Storage temperature : -40°C +80 °C



Panel Cut-Out
 Panel Thick:1.5~4.5mm

NOTES:

1. MATERIAL:
 - 1.1 HOUSING&NUT: ENGINEERING THERMOPLASTIC, UL94V-0, COLOR:BLACK.
 - 1.2 GASKET: SILICON, COLOR:RED.
 - 1.3 CONTACT: PHOSPHOR BRONZE.
2. FINISH:
 - 2.1 CONTACT: GOLD PLATING OVER NICKEL IN CONTACT.
 - 2.2 IDC CONTACT: OVERALL TIN.
3. WATERPROOF RATE: IP68, MATED WITH CABLED SIDE.
4. SPECIFICATION: CAT.5E

RoHS Compliant

TOLERANCES ARE



煜倫股份有限公司

www.morethanall.com

DRAWING BY CY

CHECKED BY GENIUS

UNIT / mm SCALE 1 : 1

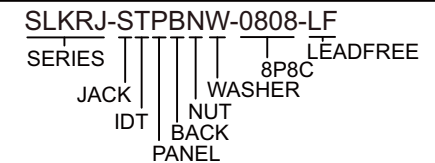
DATE

SIZE A4 PPROJECTION

X. ± 0.38
 .X ± 0.25
 .XX ± 0.10
 .XXX ± 0.05
 ANG ±

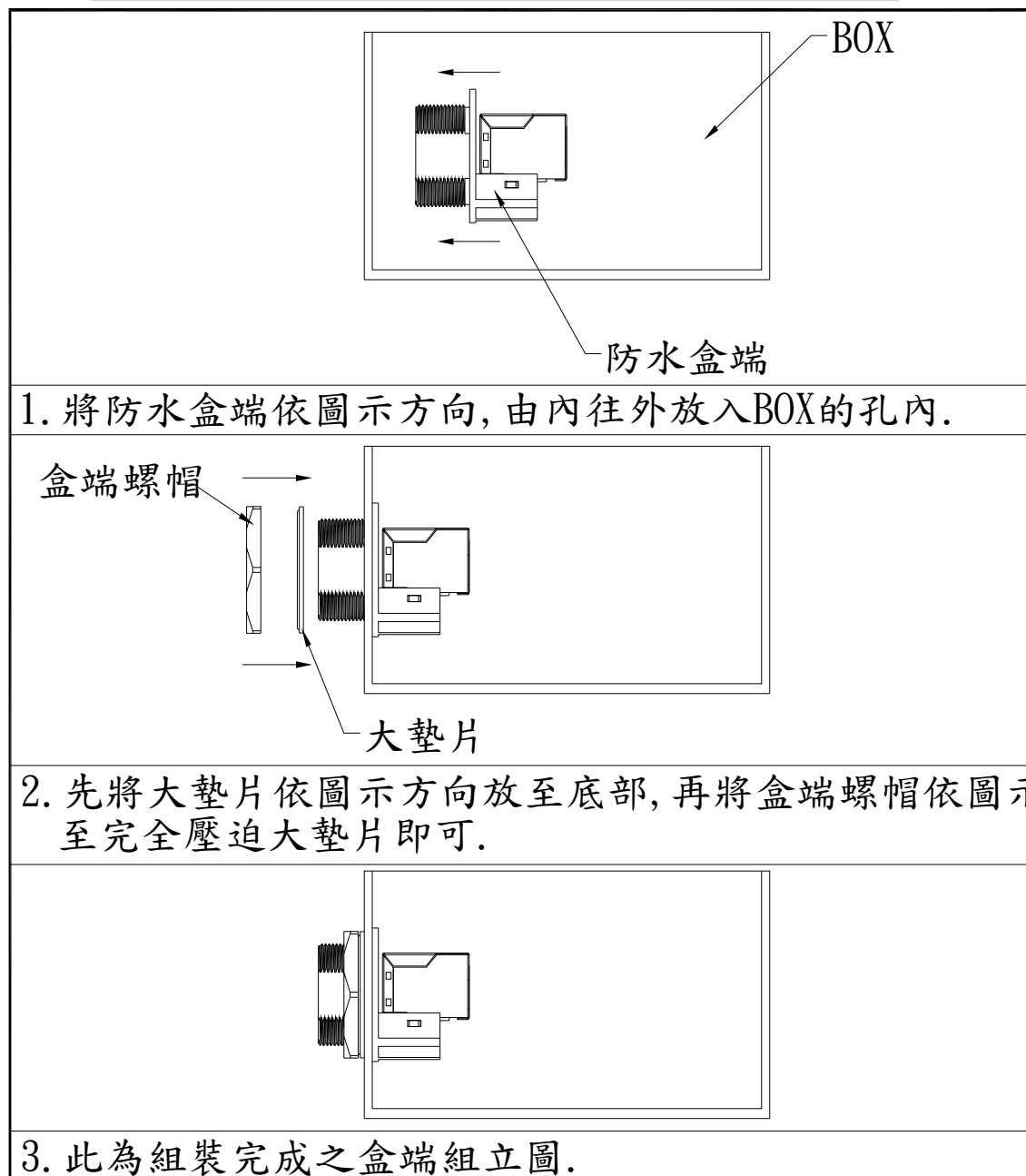


ORDER INFORMATION



DESCRIPTION: 二代防水盒端+IDC

盒端使用手冊



線&盒端使用手冊

