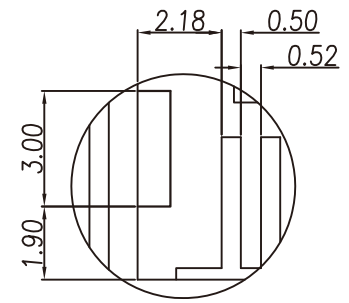
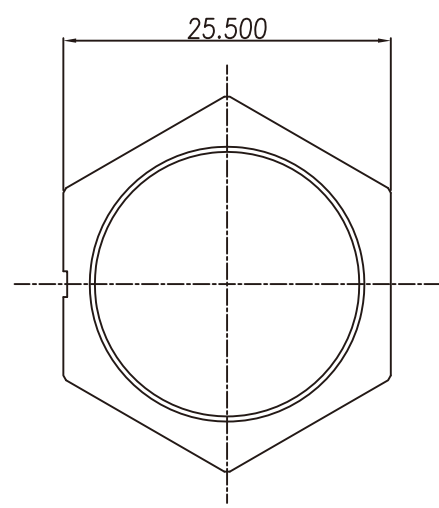
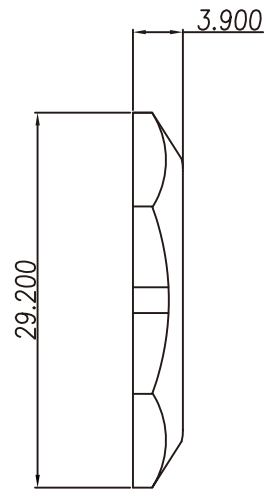


Panel Cut-Out



VIEW A
SCALE 2:1

NUT

1. MATERIAL :
 - 1-1. HOUSING : NYLON ; COLOR : BLACK.
 - 1-2. CONTACT : COPPER ALLOY
 - 1-3. GROUND : SUS 301
 - 1-4. O-RING : EPDM ; COLOR : BLACK.
 - 1-5. NUT : BRASS
 - 1-6. EPOXY BASE : EF400A&EF400B. COLOR : BLACK.
2. FINISH :
 - 2-1. CONTACT : GOLD FLASH MICRO INCHES MIN.
UNDER PLATE : NICKEL
 - 2-2. Water proof : IPX7

RoHS Compliant

TOLERANCES ARE



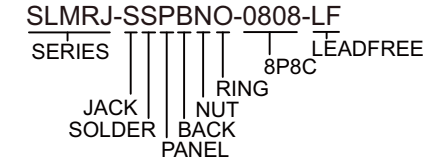
煜倫股份有限公司

www.morethanall.com

DRAWING BY CY		X. ± .X ± 0.20 .XX ± 0.10 .XXX ± ANG ±
CHECKED BY GENIUS		
UNIT/mm	SCALE 1:1	
DATE		
SIZE A4	PJECTION	



ORDER INFORMATION



DESCRIPTION: 防水 RJ45 8PIN