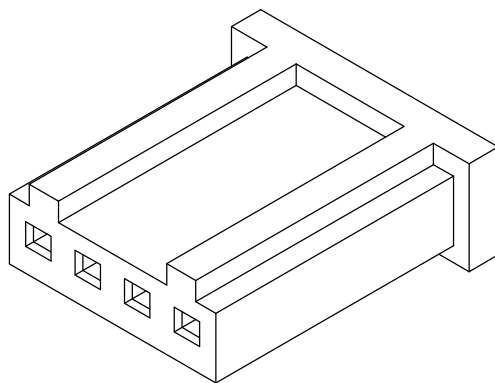
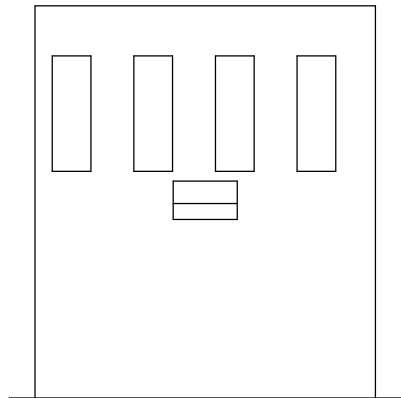


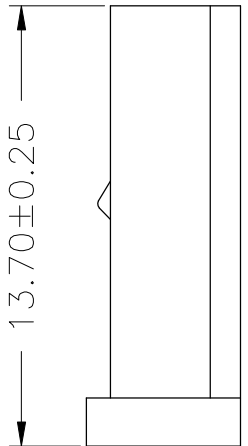
2.54±0.10
A±0.20



C±0.20



B±0.25



13.70±0.25
4.80±0.25

SPECIFICATIONS

Current Rating: 3A AC,DC
 Voltage Rating: 250V AC,DC
 Temperature Range: -25°C ~ +85°C
 Contact Resistance: 20mΩ Max
 Insulation Resistance: 1000MΩ Min
 Withstanding Voltage: 1000V AC/minute
 Material: Nylon 66,UL94V-0

Ordering Information & Dimensions

PART NO.	Dimensions		
	A	B	C
MOD-H-1X02	2.54	7.10	5.60
MOD-H-1X04	7.62	12.20	10.60
MOD-H-1X06	12.70	17.30	15.70
MOD-H-1X08	17.78	22.30	20.80
MOD-H-1X09	20.32	24.90	23.30
MOD-H-1X10	22.86	27.40	25.90
MOD-H-1X12	27.94	32.50	31.00
MOD-H-1X15	35.56	40.10	38.60
MOD-H-1X22	53.34	57.90	56.40

RoHS Compliant

TOLERANCES ARE



煜倫股份有限公司

www.morethanall.com

DRAWING BY CY

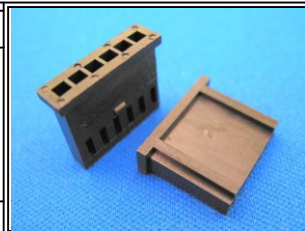
CHECKED BY GENIUS

UNIT / mm SCALE 1 : 1

DATE

SIZE A4 PPROJECTION

X.±
.X±
.XX±
.XXX±
ANG±



ORDER INFORMATION

MOD-H-1Xxx-LF
 SERIES | LEADFREE
 1X02:02WAY
 1X22:22WAY
 HOUSING

DESCRIPTION: 2.54mm PITCH HOUSING