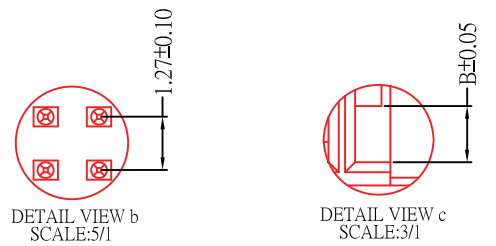


DETAIL VIEW a  
SCALE:2/1

MATERIAL:  
INSULATOR: PBT UL94V-0 BLACK  
CONTACTS: COPPER ALLOY  
GOLD PLATED ON CONTACT AREA  
TIN PLATED ON SOLDER TAIL

ELECTRICAL:  
CURRENT RATING: 0.5A AC, DC  
TEMPERATURE RANGE: -20°C ~ +60°C  
INSULATION RESISTANCE: 1000MΩ MIN(500V DC)  
CONTACT RESISTANCE: 40mΩ MAX.  
WITHSTANDING VOLTAGE: 500V AC/MINUTE

Pin Type	Interface Dim.	Pin No.
Detect	3.50 mm	36, 67
General	4.25 mm	all other pins
Power	5.00 mm	1, 17, 34, 35, 51, 68



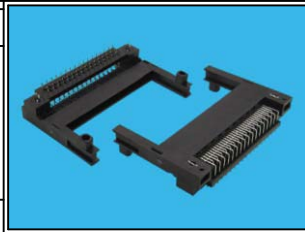
Ordering Information

A	B	DIM. B = 1.1 mm (0) Voltage 5V	DIM. B = 2.2 mm (V) Voltage 3.3V
		(D) A = 5.0mm	PCC-PRM50V5Z-68
(U) A = 4.0mm	PCC-PRM40V5Z-68	PCC-PRM40V3Z-68	
(P) A = 8.0mm	PCC-PRM80V5Z-68	PCC-PRM80V3Z-68	

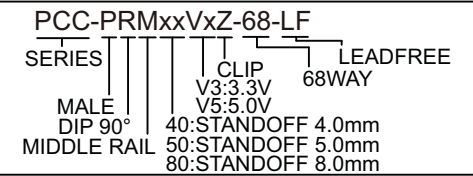
RoHS Compliant

TOLERANCES ARE

- X. ±
- .X ±
- .XX ±
- .XXX ±
- ANG ±



ORDER INFORMATION



**MORETHANALL**  
PCB CONNECTORS  
Cable ASSEMBLIES  
煜倫股份有限公司  
www.morethanall.com

DRAWING BY CY		X. ± .X ± .XX ±
CHECKED BY GENIUS		
UNIT / mm	SCALE 1 : 1	.XXX ± ANG ±
DATE		
SIZE A4	P PROJECTION	

DESCRIPTION: PC68公座單層無支架墊高5.0卡槽2.2/1.1前2.3魚叉孔后帶墊高柱有塑膠上下支撐片成品

# 包裝規範

適用產品：PCMCIA公座39mm整體式成品

編號：PCC-PRMxxVxZ-68

制訂日期:2010/08/31

備注:新增包裝規範

頁次 1/1

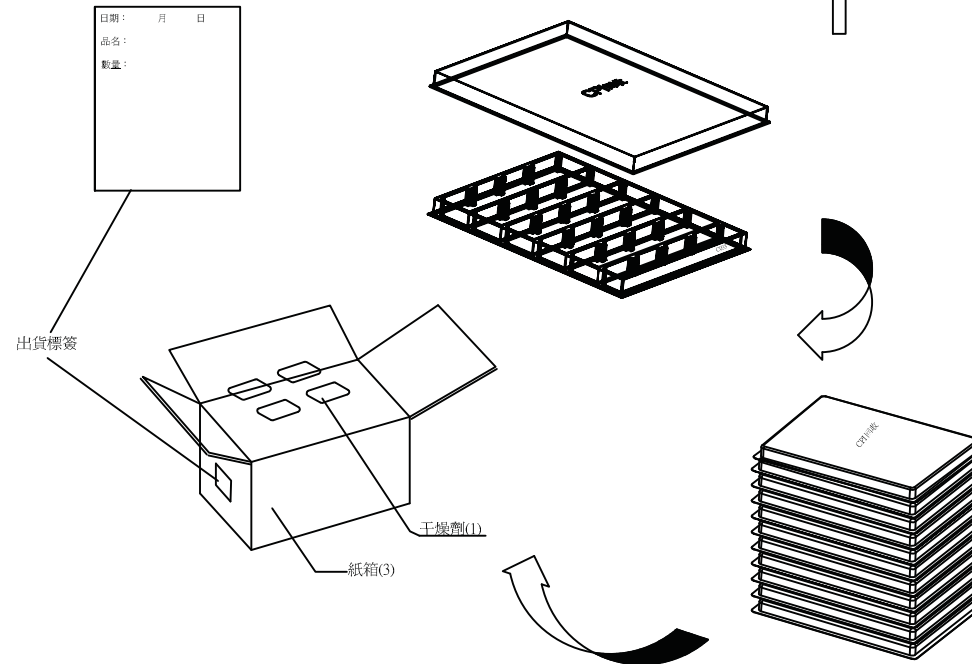
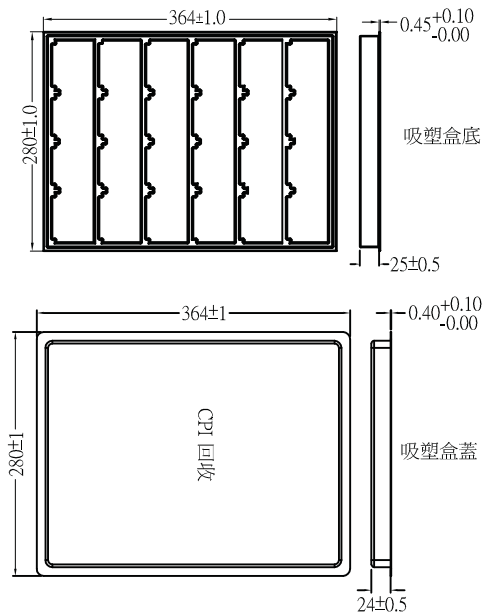
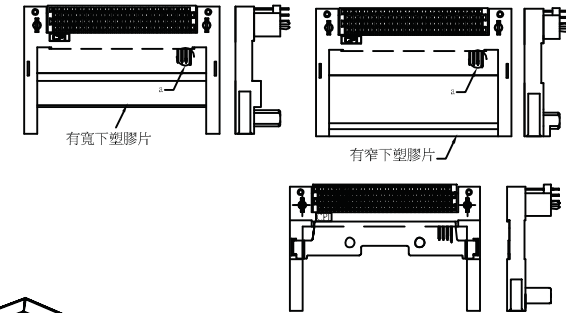
包材明細表			
NO	包材名稱	包材料號	用 量 備 注
1	干燥劑		適當用量
2	塑膠盒	TRY-PCM-H-L	12
		TRY-PCM-H-U	2
3	紙箱	paperbox390*300*310(mm)	1
4			

產 品 規 格					
包 裝 容 量	NO	有寬下塑膠片	有窄下塑膠片		
個/盒	24	24			
盒/箱	12	12			
個/箱	288	288			

## 文字說明:

- 1.如圖所示,將成品依規定之包裝數量進行包裝.
- 2.將產品每6盒用保鮮膜繞好放入紙箱內,其定量包裝上面放適量干燥劑. 蓋上箱蓋后以膠帶封箱,在側面貼上出貨標籤貼紙.



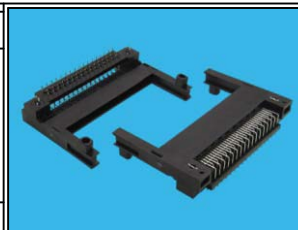
RoHS Compliant

TOLERANCES ARE

**MORETHANALL**  
PCB CONNECTORS  
Cable ASSEMBLIES  
煜倫股份有限公司

DRAWING BY CY  
CHECKED BY GENIUS  
UNIT / mm SCALE 1 : 1  
DATE

X, ±  
.X ±  
.XX ±  
.XXX ±  
ANG ±



ORDER INFORMATION

PCC-PRMxxVxZ-68-LF  
SERIES | CLIP | LEADFREE  
MALE | V3:3.3V | 68WAY  
DIP 90° | V5:5.0V  
MIDDLE RAIL | 40:STANDOFF 4.0mm  
| 50:STANDOFF 5.0mm  
| 80:STANDOFF 8.0mm

www.morethanall.com

SIZE A4 PPROJECTION

DESCRIPTION: PC68公座單層無支架墊高5.0卡槽2.2/1.1前2.3魚叉孔后帶墊高柱有塑膠上下支撐片成品