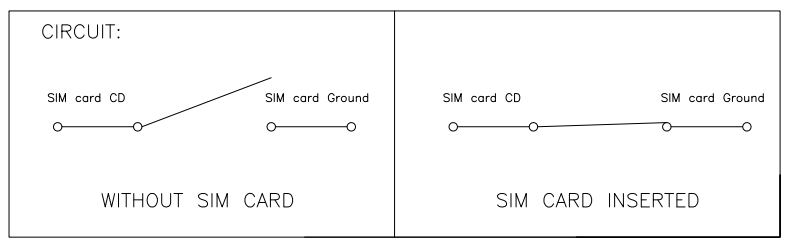
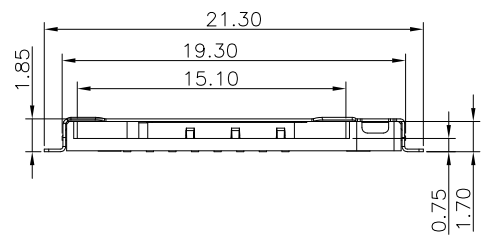


SIM pin assignment	
PIN#	Name
C1	VCC 电压
C2	RST 重置
C3	CLK 时钟
C5	GND 接地
C6	VPP 电压
C7	I/O 输入输出



**RoHS Compliant**

TOLERANCES ARE



DRAWING BY CY

X, ±

CHECKED BY GENIUS

.X ±

UNIT / mm

SCALE 1 : 1

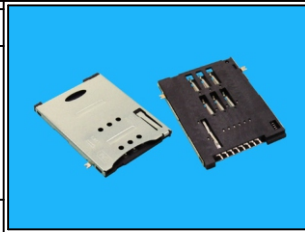
.XXX ±

DATE

ANG ±

SIZE A4

PJECTION



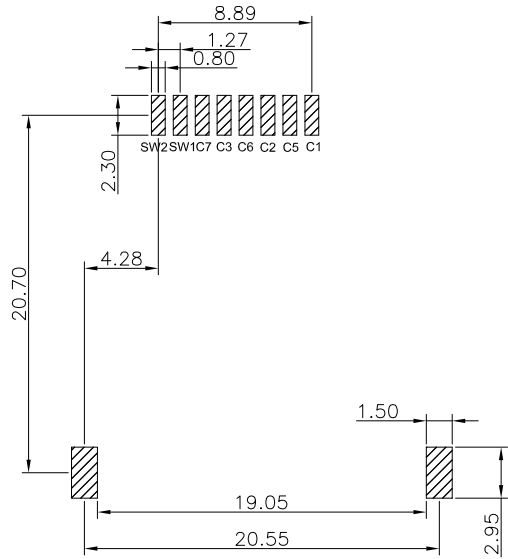
**ORDER INFORMATION**

SCP-W20EB-06-LF  
 SERIES | LEADFREE  
 90°SMT | 06WAY  
 EAR | OPEN TYPE  
 20mm

煜倫股份有限公司

www.morethanall.com

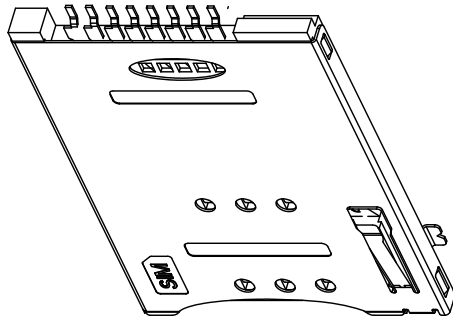
DESCRIPTION: SIM CARD, 6+2PIN, PCB MOUNT, SMT, METAL SHIELD, FEMALE, (PUSH-PUSH TYPE) H=1.85 WITHOUT POST



PCB 焊盘区

RECOMMENDED PCB LAYOUT

GENERAL TOLERANCE  $\pm 0.05$



### 1.SPECIFICATIONS

INSULATION RESISTANCE: 500M min.AT DC 500V DC  
 WITHSTANDING VOLTAGE: 250V ACrms FOR 1 MINUTE  
 CONTACT RESISTANCE: 100M max. AT 10mA/20mV max  
 CURRENT RATING: 0.5A  
 VOLTAGE RATING: 5.0 vrms  
 OPERATING TEMP.RANGE:-55 C+85 C  
 MATING CYCLES: 5000 INSERTIONS

### 2.MATERIAL:

INSULATOR: H-TEMPERATURE PLASTIC,UL 94V-0,  
 COLOR"BLACK  
 TERMINAL: COPPER ALLOY,T=0.15mm  
 SHELL: STAINLESS STELL,T=0.15mm

### 3.FINISH:

TERMINAL:50u" min NICKEL UNDERPLATED ON ALLOVER,GOLD PLATING  
 ON CONTACT ARER, 80u"min TIN ON SOLDER TAIL.  
 SHELL:50u" NICKEL UNDERPLATED ON ALLOVER, GOLD FLASH ON SOLDER  
 LATCH

RoHS Compliant

TOLERANCES ARE

**MORETHANALL**  
 PCB CONNECTORS  
 Cable ASSEMBLIES

DRAWING BY CY

CHECKED BY GENIUS

UNIT / mm

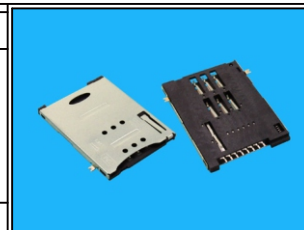
SCALE 1 : 1

DATE

SIZE A4

PPOJECTION

X.  $\pm$   
 .X  $\pm$   
 .XX  $\pm$   
 .XXX  $\pm$   
 ANG  $\pm$



ORDER INFORMATION

SCP-W20EB-06-LF  
 SERIES | | | LEADFREE  
 90°SMT | | | 06WAY  
 | | | OPEN TYPE  
 | | | EAR  
 | | | 20mm

煜倫股份有限公司

www.morethanall.com

DESCRIPTION: SIM CARD, 6+2PIN, PCB MOUNT, SMT, METAL SHIELD, FEMALE, (PUSH-PUSH TYPE) H=1.85 WITHOUT POST