

5	Tubing	OD:2.0MM BLACK H/S TUBE L=6mm	4PCS
4	WIRE	UL1571 26AWG*4P FLAT CABLE L=85MM	1PCS
3	Terminal	1.25mm Terminal	4PCS
2	Housing	GHR1.25PH 4P	1PCS
1	Conn	USB2.0 AF GOLD CONNECTOR, NICKEL-PLATED SHELL, PLASTIC :WHITE	1PCS
序号	品名	规格	用量

RoHS Compliant

TOLERANCES ARE

**MORETHANALL**  
PCB CONNECTORS  
Cable ASSEMBLIES

煜倫股份有限公司

www.morethanall.com

DRAWING BY CY

CHECKED BY GENIUS

UNIT / mm SCALE 1 : 1

DATE

SIZE A4

X. ±  
.X ±  
.XX ±  
.XXX ±  
ANG ±

PJECTION

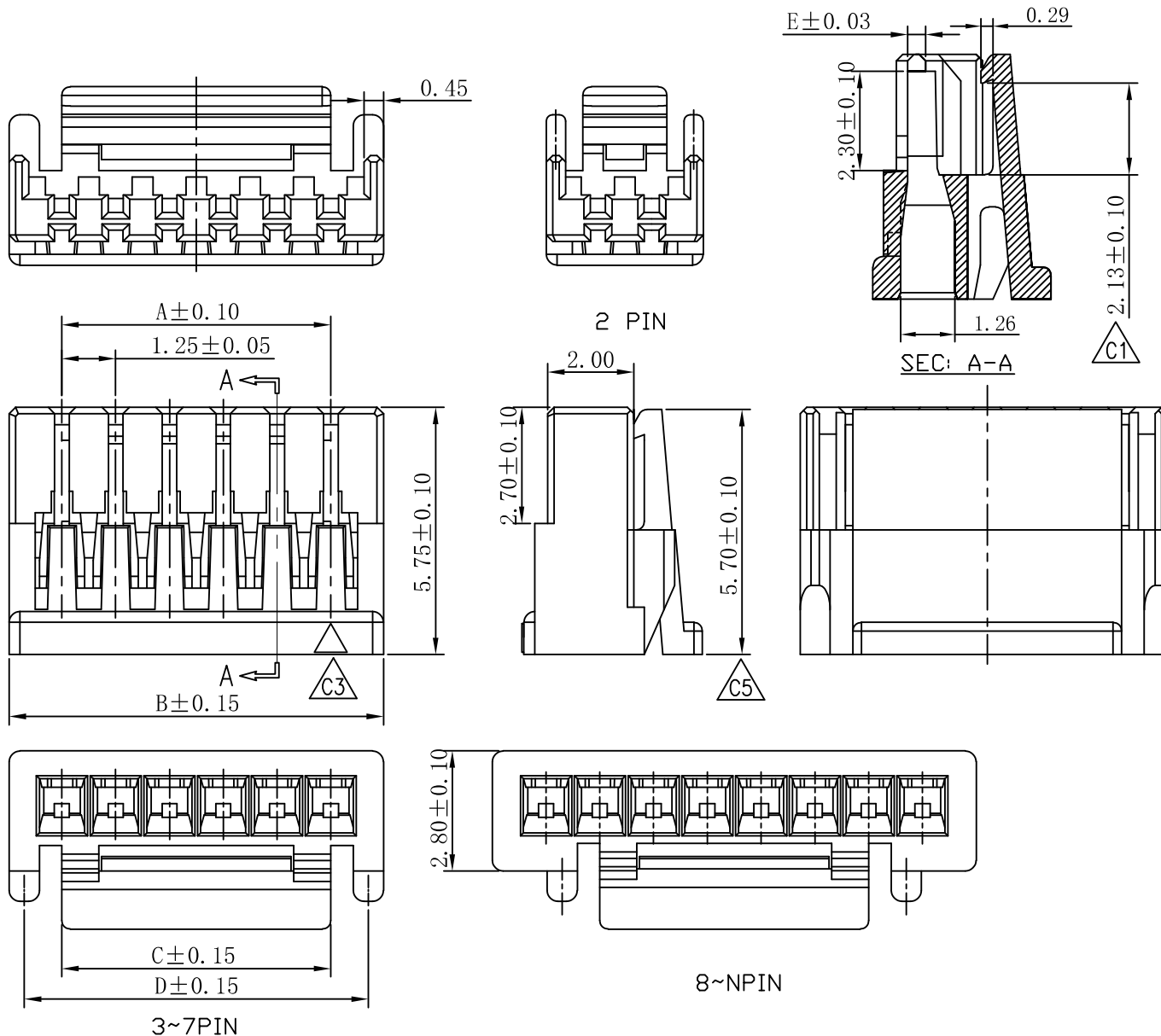


ORDER INFORMATION

GHUB-044A26C1-F8C5-LF

SERIES | LEADFREE  
| 85mm  
| FEMALE TO FEMALE  
COMBO WIRE  
GH 4PIN | 26AWG  
| USB 4PIN A TYPE

DESCRIPTION: USB AF TO GHR1.25-4P Cable



产品要求:

材质: PA66, UL94V-0

外观要求: 外观无变形、缺胶等不良。

Dimensional Ordering Information					
Circuits Part No	Dimensions				
	A	B	C	D	E
2P	--	3.65	1.95	3.20	0.42
3P	2.50	4.90	3.00	4.20	0.42
4P	3.75	6.15	4.25	5.45	0.42
5P	5.00	7.40	4.25	6.70	0.42
6P	6.25	8.70	6.25	8.00	0.42
7P	7.50	9.95	6.25	9.25	0.42
8P	8.75	11.15	6.25	8.00	0.42
9P	10.00	12.40	6.25	8.00	0.42
10P	11.25	13.65	8.25	10.00	0.42
11P	12.50	14.90	8.25	10.00	0.42
12P	13.75	16.15	8.25	10.00	0.32
13P	15.00	17.40	8.25	10.00	0.32
14P	16.25	18.65	8.25	10.00	0.32
15P	17.50	19.90	8.25	10.00	0.32

RoHS Compliant

TOLERANCES ARE

**MORETHANALL**  
PCB CONNECTORS  
Cable ASSEMBLIES

DRAWING BY CY

CHECKED BY GENIUS

UNIT / mm

SCALE 1 : 1

DATE

SIZE A4

X, ±  
.X ± 0.30  
.XX ± 0.20  
.XXX ± 0.10  
ANG ±

PJECTION

照片框

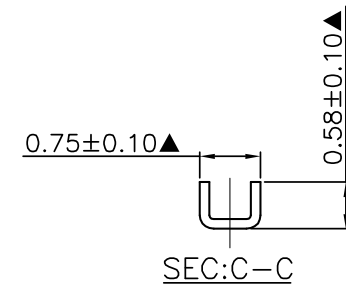
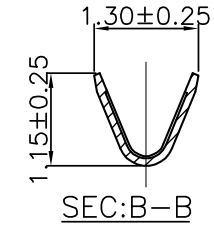
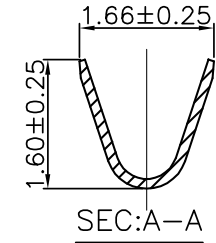
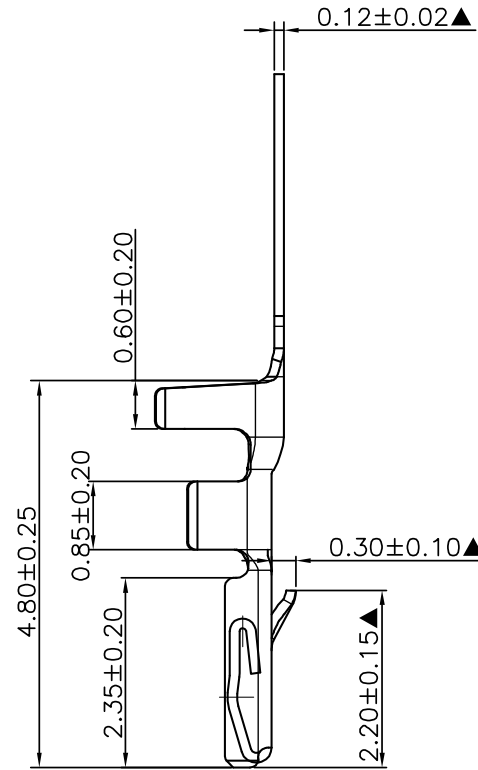
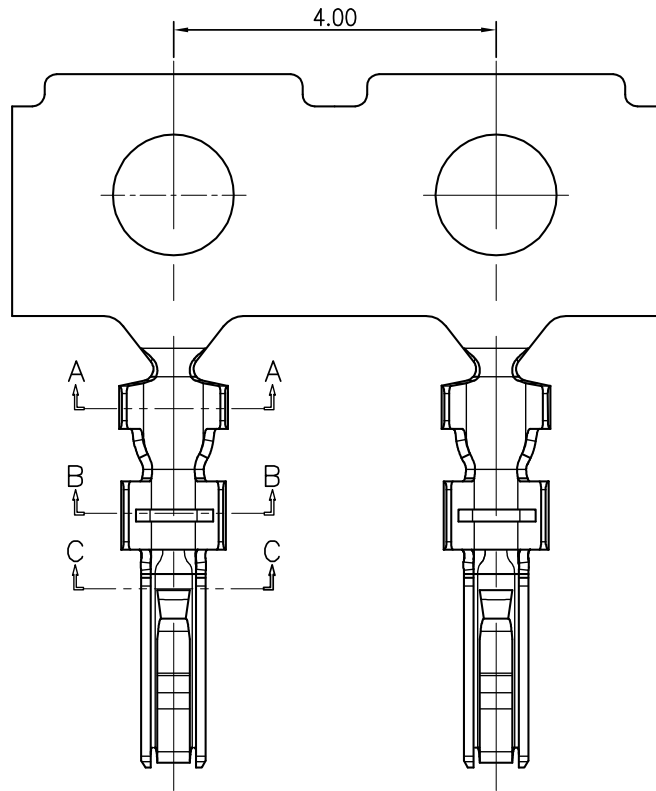
ORDER INFORMATION

GH-H-xx-LF  
SERIES | LEADFREE  
02~15WAY  
HOUSING

煜倫股份有限公司

www.morethanall.com

DESCRIPTION:



产品要求:

1. 材质:磷铜 C5191 (T=0.12mm);
2. 电镀标准:先冲后镀 镀全锡 Ni底;
3. 包装标准:每盘20K;

RoHS Compliant

TOLERANCES ARE

**MORETHANALL**  
PCB CONNECTORS  
Cable ASSEMBLIES

DRAWING BY CY

X. ± 0.30

CHECKED BY GENIUS

.X ± 0.30

UNIT / mm

SCALE 1 : 1

.XX ± 0.20

DATE

.XXX ± 0.10

ANG ± 1°

煜倫股份有限公司

www.morethanall.com

SIZE A4

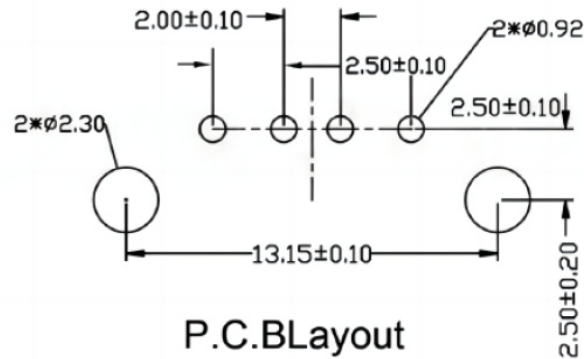
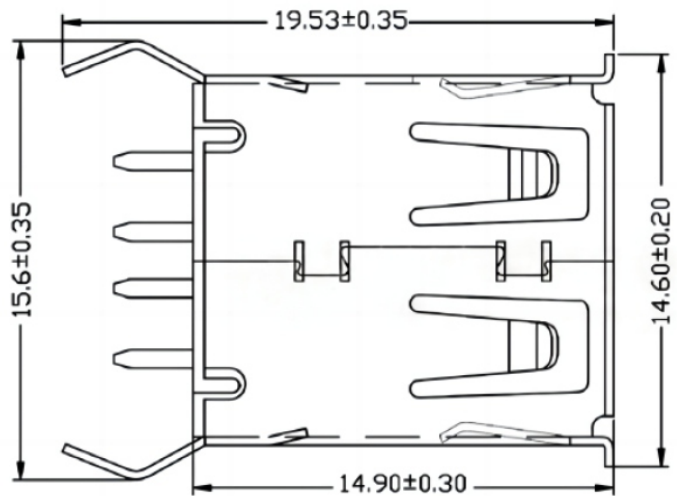
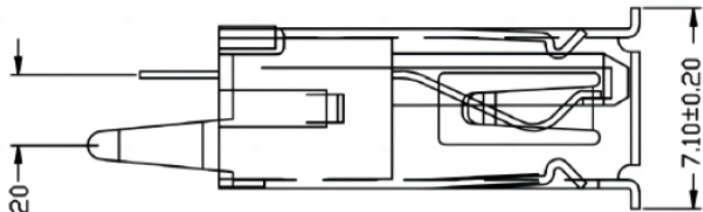
PJECTION

照片框

ORDER INFORMATION

GH-T-26-LF  
SERIES | LEADFREE  
26 AWG  
TERMINAL

DESCRIPTION:



P.C.B Layout

产品规格说明：(specifications)

电器特性：(Electrical characteristics)

- 1.接触阻抗：(Contact Resistance)  
最大值30毫欧：(30 milliohms MAX)
- 2.耐电压：(Dielectric Withstanding Voltage：)  
500 伏特交流电 (500V AC AT Som Level)
- 3.绝缘阻抗：(Insulation Resistance：)  
最小值1000兆欧姆 (1000 mega-ohms MIN)

机械性能：(Mechanical：)

- 1.插入力：(Insertion Force)  
最大3.57kg (3.57kg MAX)
- 2.拔出力：(unmatingForce：)  
最少1.02kg (1.02 kg MIN)

材料：Material：

- 1.塑胶：(Housing)：PBT
- 2.端子：(Contact)：C2680
- 3.外壳：(Shell)：SPCC

电镀：(Finish)：

- 1.端子 (Contact)：Au Plated DN Contact Area  
Over30-50U Ni,Sn Plated DN Solder Tails.  
接触点镀金0.8u，脚镀锡100u。
- 2.外壳：(Shell)：Nickel Plating 镀亮镍

RoHS Compliant

TOLERANCES ARE

**MORETHANALL**  
PCB CONNECTORS  
Cable ASSEMBLIES

煜倫股份有限公司

www.morethanall.com

DRAWING BY CY

CHECKED BY GENIUS

UNIT / mm

SCALE 1:1

DATE

SIZE A4

X, ±

.X ±

.XX ±

.XXX ±

ANG ±

PPOJECTION

照片框

ORDER INFORMATION

USB-SDWH-4A-LF  
SERIES | LEADFREE  
WHITE | 4 PIN A TYPE  
DIP 180°  
FEMALE

DESCRIPTION: