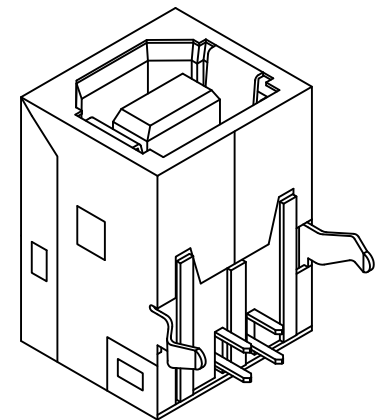
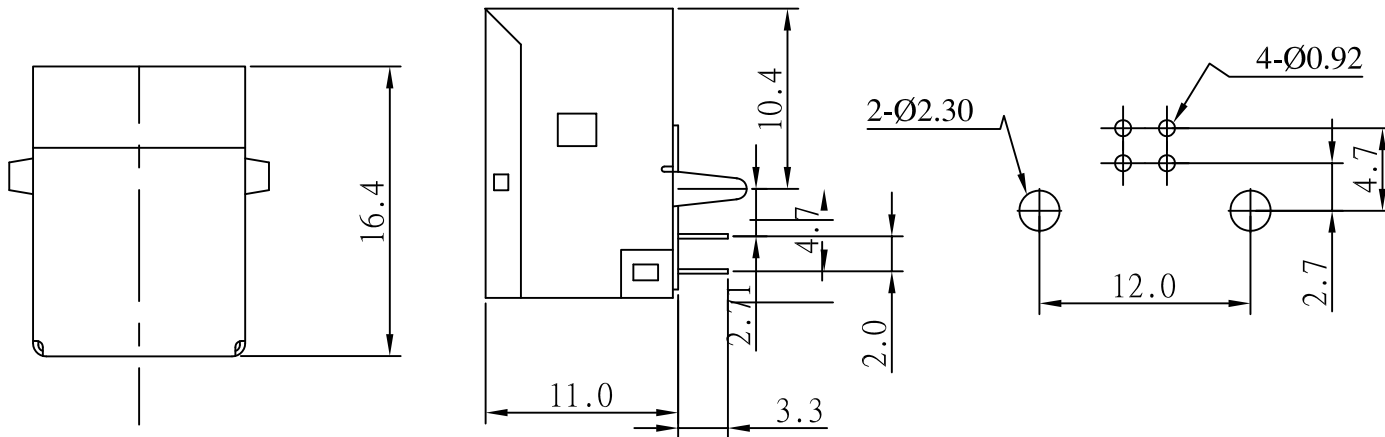


SPECIFICATIONS

Current Rating 1 Amp
 Insulator resistance 5000 Megohms min .
 500v DC for 1 minutes.
 Contact resistance 20 m ohm Max.
 Dielectric withstanding AC 500 v for 1 minutes.
 Operating Temperature -40°C ~ 105°C
 Contact Material Phosphor bronze
 insulator Material Polyester, UL 94v-0
 standard NYLON 6T



RoHS Compliant

TOLERANCES ARE

MORETHANALL
 PCB CONNECTORS
 Cable ASSEMBLIES

DRAWING BY CY

CHECKED BY GENIUS

UNIT / mm

SCALE 1 : 1

DATE

SIZE A4

X, ±
 X, ±
 .XX ±
 .XXX ±
 ANG ±

P PROJECTION



ORDER INFORMATION

USB-SRxxSxx-4B-LF

SERIES | | | LEADFREE
 | | | 4 PIN B TYPE
 | | | S03:SEMI/GOLD/03u"
 FEMALE | | | S30:SEMI/GOLD/30u"
 DIP 90° | | | BK:BLACK
 | | | WH:WHITE

DESCRIPTION:

煜倫股份有限公司

www.morethanall.com