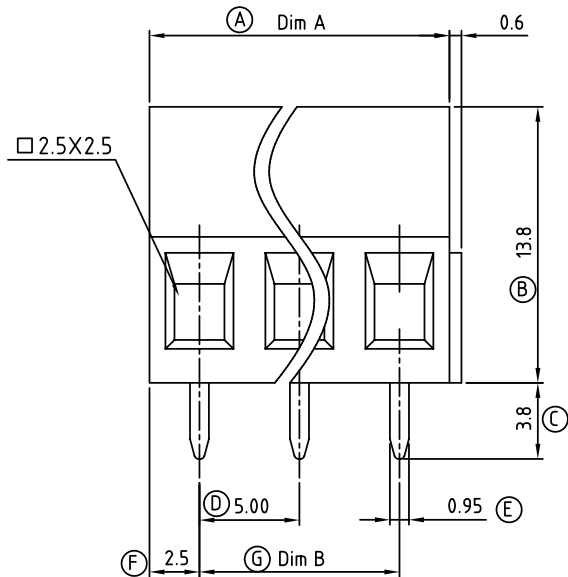
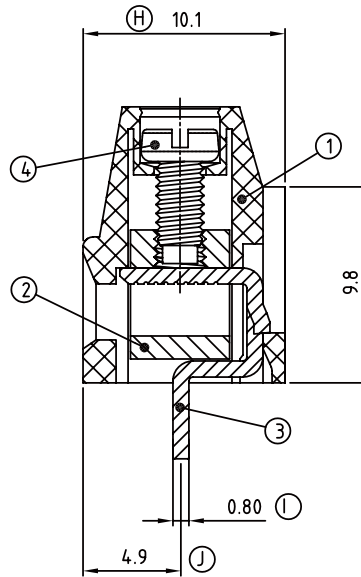


P.C.B LAYOUT



N=Number of contacts



Material:

- Item ① Terminal housing :Thermoplastic (UL 94V-0)
- Item ② Clamp : Brass ,Ni plated
- Item ③ Wire guard solder pin : Brass ,Tin plated
- Item ④ Terminal screw: Steel Zinc plating"-slot type

Electrical UL

- Voltage rating: 300VAC
- Current rating: 10A
- Wire range:
- Solid wire(AWG): 12-24
- Stranded wire(AWG): 12-24
- Torque(Lb-In): 3.5
- Screw: M2.5
- Wire strip length: 6-7mm
- Withstanding Voltage: 1.6KV
- Operating temperature: -40°C to +115°C
- △ Soldering temperature: 250°C±10°C/5 Sec
- Safety Approval:

POLE	2	3	4	5	6	7	8	9	10	11	12	
Dim A	10.00	15.00	20.00	25.00	30.00	35.00	40.00	45.00	50.00	55.00	60.00	
Dim B	5.00	10.00	15.00	20.00	25.00	30.00	35.00	40.00	45.00	50.00	55.00	
Tol.	±0.15						±0.20					
POLE	13	14	15	16	17	18	19	20	21	22	23	24
Dim A	65.00	70.00	75.00	80.00	85.00	90.00	95.00	100.00	105.00	110.00	115.00	120.00
Dim B	60.00	65.00	70.00	75.00	80.00	85.00	90.00	95.00	100.00	105.00	110.00	115.00
Tol.	±0.30						±0.40					

RoHS Compliant

MORETHANALL
PCB CONNECTORS
Cable ASSEMBLIES

煜倫股份有限公司

www.morethanall.com

DRAWING BY CY

CHECKED BY GENIUS

UNIT/ mm SCALE 1:1

DATE

SIZE A4

TOLERANCES ARE

X, ± 0.50

.X ± 0.30

.XX ± 0.10

.XXX ±

ANG ±

P PROJECTION



ORDER INFORMATION

TBH050-D13S-xx-LF

SERIES

LEADFREE

02~24WAY

SINGLE ONE

HIGH 13.8mm

DIP180°

DESCRIPTION: