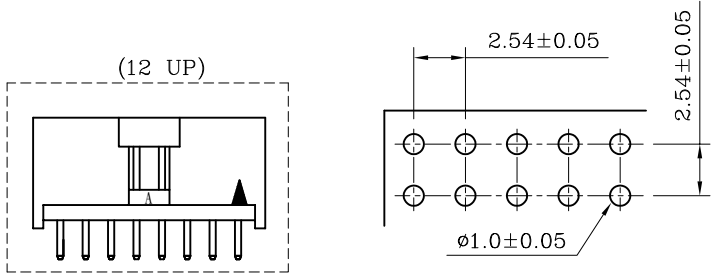
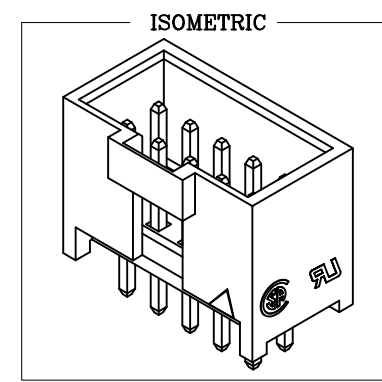
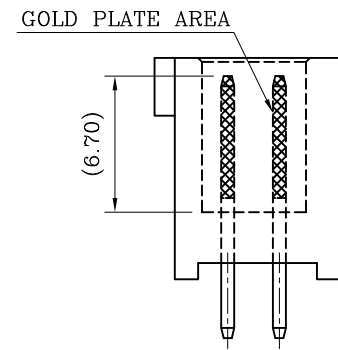
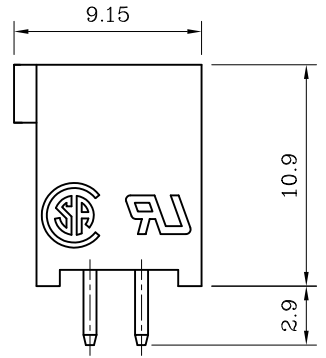
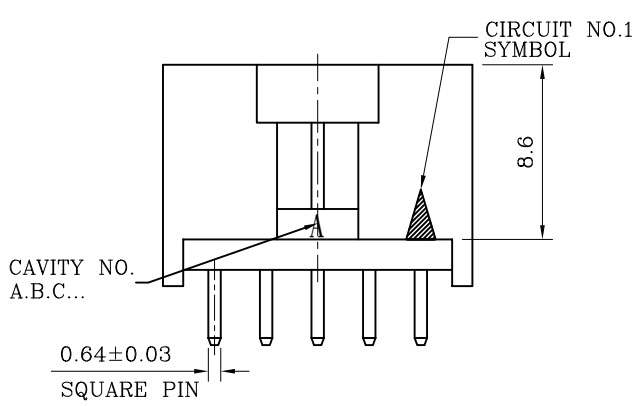


ORDER NO./DIMENSIONS

CIRCUITS	DIM. A	DIM. B	DIM. C
06	5.08	8.16	10.16
08	7.62	10.70	12.70
10	10.16	13.24	15.24
12	12.70	15.78	17.78
14	15.24	18.32	20.32
16	17.78	20.86	22.86
20	22.86	25.94	27.94

NOTE:

1. MATERIAL:  
BASE: GLASS-FILLED P.B.T. 94V-0 (BLACK COLOR)  
PIN : BRASS
2. TIN OR MATTE TIN-PLATED IS 120u" MIN.
3. ALL PLATING WITH MIN. 30u" NICKEL UNDER-PLATED.
4. MEASURING POINT FOR MIN. PLATING THICKNESS.
5. MATES WITH DUAL-ROW PLUG HOUSING.
6. APPLY TO AUTOMOTIVE



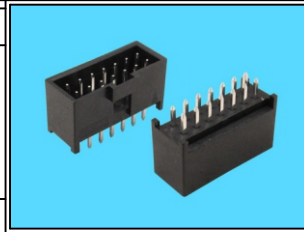
MATERIAL: SEE NOTES  
FINISH(COLOR): SEE NOTES

RoHS Compliant

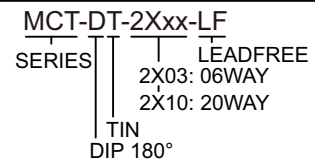
TOLERANCES ARE

**MORETHANALL**  
PCB CONNECTORS  
Cable ASSEMBLIES  
**煜倫股份有限公司**  
www.morethanall.com

DRAWING BY CY		X. ± 0.30 X ± 0.25 .XX ± 0.12 .XXX ± 0.08 ANG ± 3°
CHECKED BY GENIUS		
UNIT / mm	SCALE 1 : 1	
DATE		
SIZE A4	P PROJECTION	



ORDER INFORMATION



DESCRIPTION: