

NOTES:

1. MATERIAL:
HOUSING: HIGH TEMPERATURE THERMO PLASTIC UL94V-0
TERMINAL: COPPER ALLOY
SOLDER PEG: COPPER ALLOY
2. FINISH:
TERMINAL:
CONTACT AREA: SEE CHARTS
SOLDERING AREA: SEE CHARTS
UNDER PL.: NICKEL PL. 50 μ" THK MIN.
3. THIS PRODUCT DOESN'T CONTAIN ENVIRONMENTAL HAZARDOUS PER DIRECTIVE 2002/95/EC FOR RoHS COMPLIANT.

RoHS Compliant

TOLERANCES ARE

MORETHANALL
PCB CONNECTORS
Cable ASSEMBLIES

煜倫股份有限公司

www.morethanall.com

DRAWING BY CY

CHECKED BY GENIUS

UNIT / mm SCALE 1:1

DATE

SIZE A4

X, ±

.X ±

.XX ±

.XXX ±

ANG ±

PJECTION



ORDER INFORMATION

NGFF-W32R-1156-LF

SERIES REEL LEADFREE

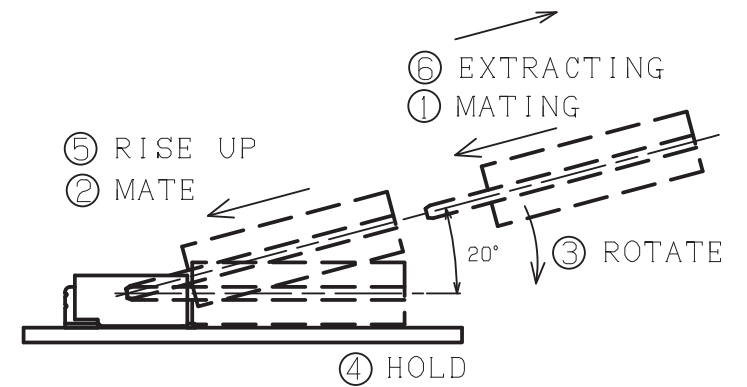
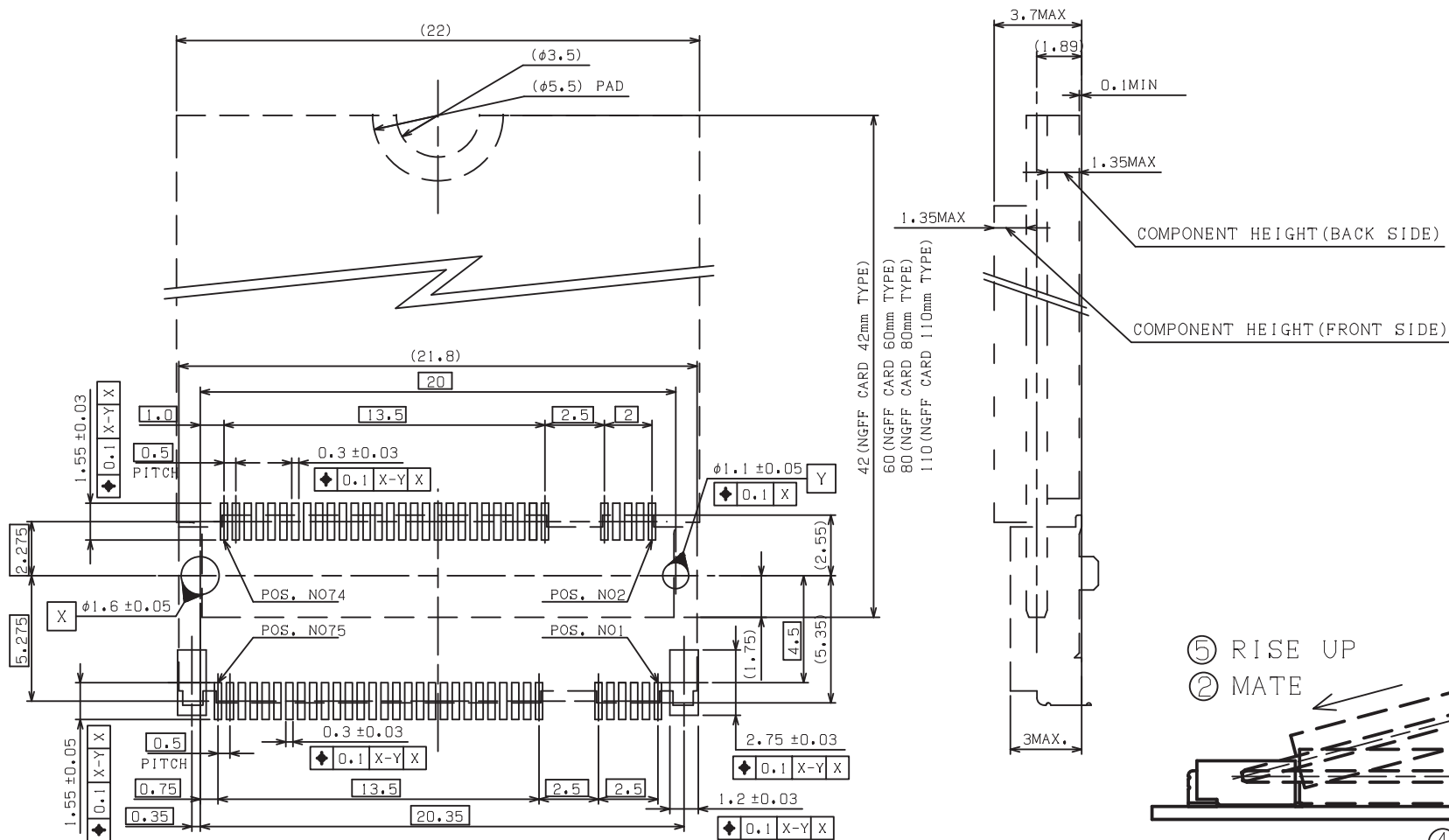
11+56 WAY

REEL

HIGH 3.2mm

90°SMT

DESCRIPTION:



KEY ID "B"
RECOMMENDED P.C. BOARD LAYOUT

RoHS Compliant

TOLERANCES ARE

MORETHANALL
PCB CONNECTORS
Cable ASSEMBLIES

DRAWING BY CY

X.±

CHECKED BY GENIUS

.X±

UNIT / mm

SCALE 1:1

.XX±

DATE

.XXX±

ANG ±

SIZE A4

PJECTION



ORDER INFORMATION

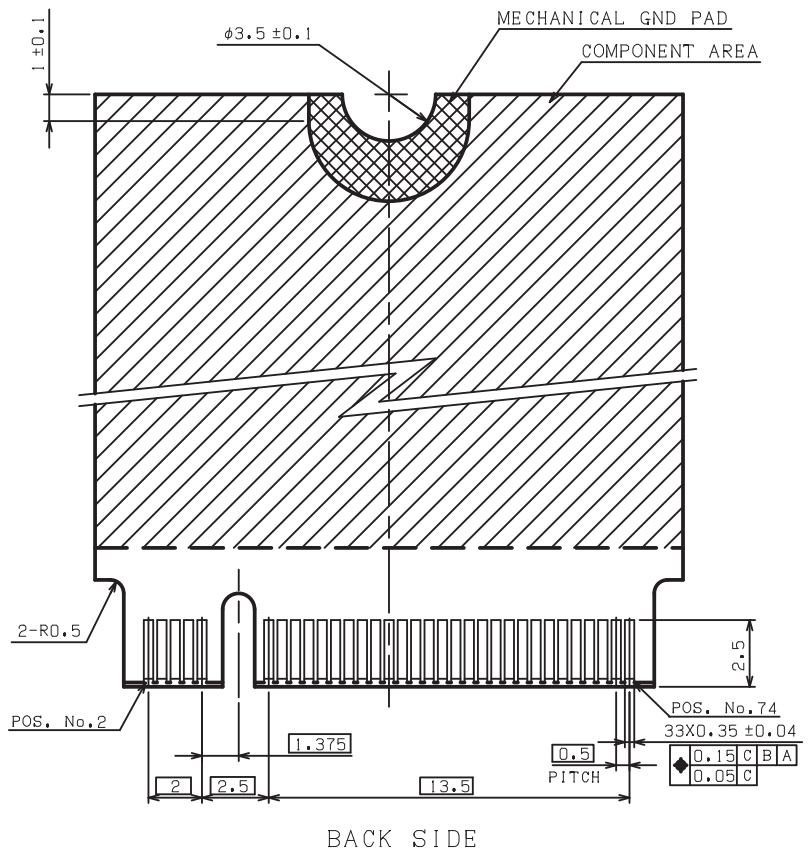
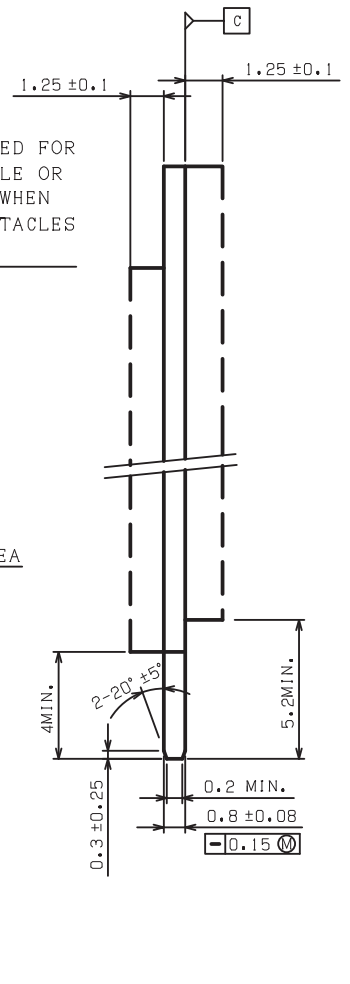
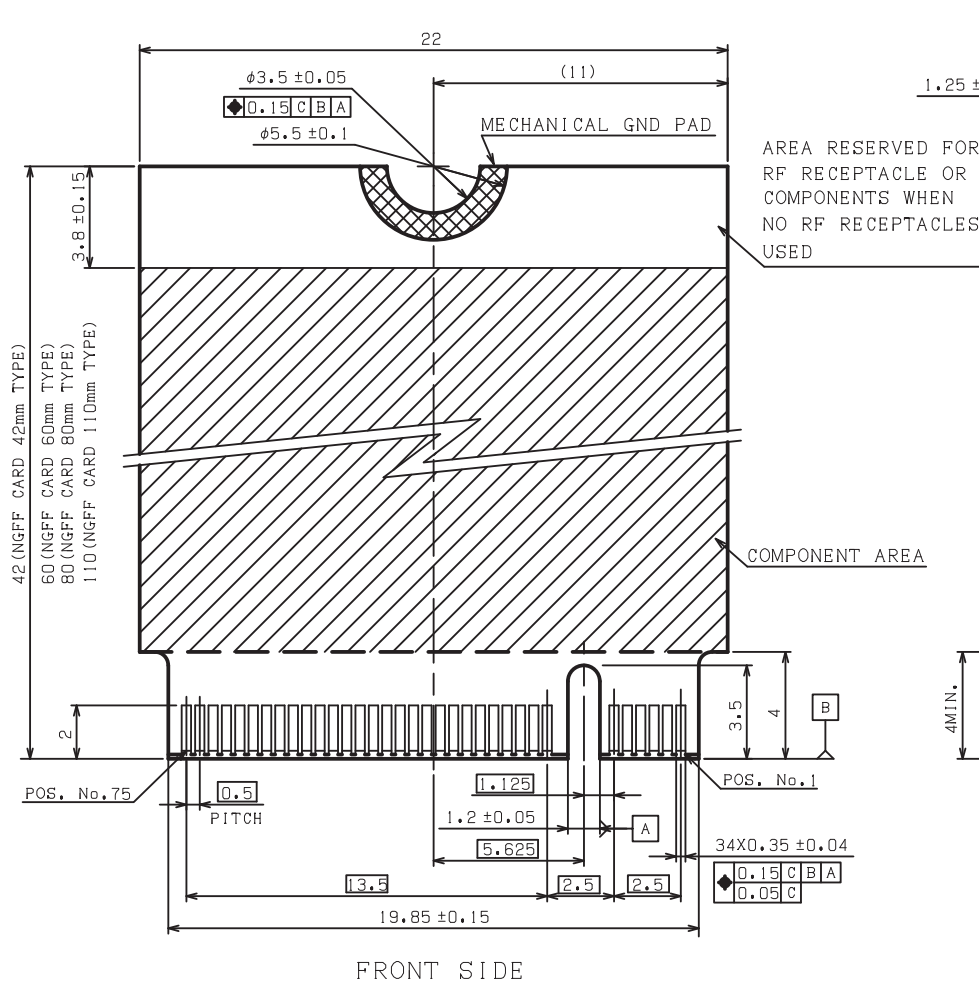
NGFF-W32R-1156-LF

SERIES | | | LEADFREE
| | | 11+56 WAY
| | | REEL
| | | HIGH 3.2mm
| | | 90°SMT

煜倫股份有限公司

www.morethanall.com

DESCRIPTION:



KEY ID "B"
RECOMMENDED MODULE LAYOUT

RoHS Compliant

TOLERANCES ARE

MORETHANALL
PCB CONNECTORS
Cable ASSEMBLIES

DRAWING BY CY
CHECKED BY GENIUS
UNIT / mm SCALE 1:1
DATE

X. ±
.X ±
.XX ±
.XXX ±
ANG ±

煜倫股份有限公司

www.morethanall.com

SIZE A4

PJECTION

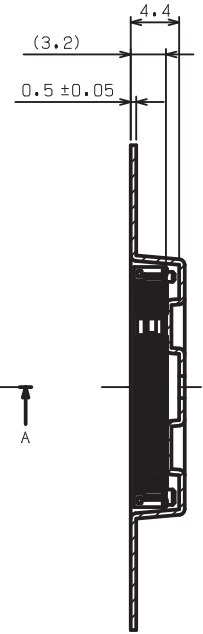
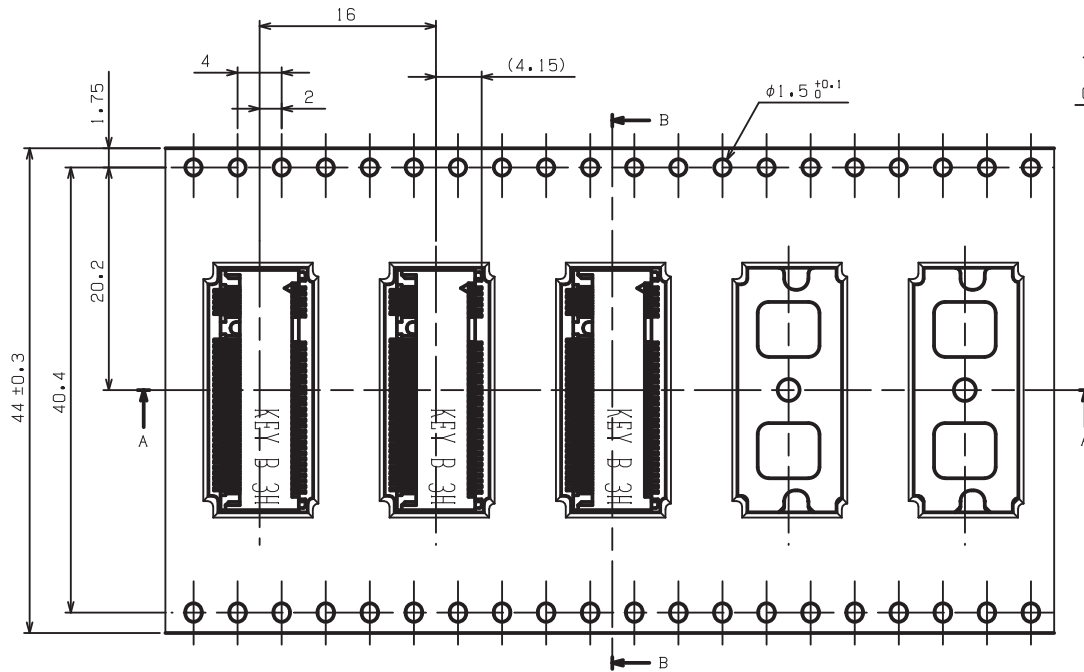


ORDER INFORMATION

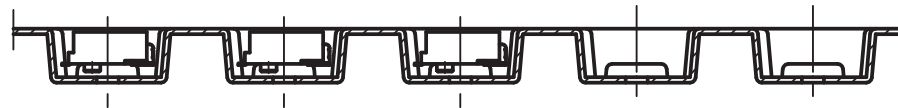
NGFF-W32R-1156-LF
SERIES | | LEADFREE
| | 11+56 WAY
| REEL
HIGH 3.2mm
90°SMT

DESCRIPTION:

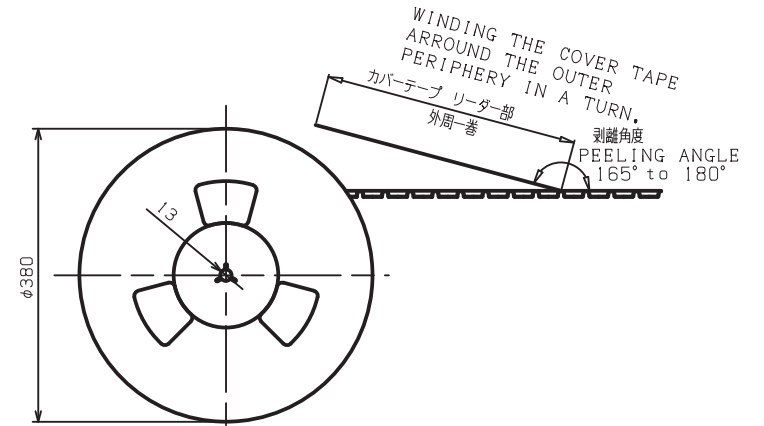
DIRECTION OFF TOP OF REEL



SECT B-B



SECT A-A



NOTES:

1. THE DIRECTION OF EACH CONNECTOR ON A EMBOSS IS REFERED TO THIS DRAWING.
2. GENERAL TOLERANCE : ± 0.5 , $\pm 3^\circ$
3. PACKAGED IN EMBOSS TAPE AND PLASTIC REEL 1200 PCS PRE REEL.

RoHS Compliant

TOLERANCES ARE

MORETHANALL
PCB CONNECTORS
Cable ASSEMBLIES

煜倫股份有限公司

www.morethanall.com

DRAWING BY CY

CHECKED BY GENIUS

UNIT / mm

SCALE 1 : 1

DATE

SIZE A4

X. \pm
.X \pm
.XX \pm
.XXX \pm
ANG \pm

PJECTION



ORDER INFORMATION

NGFF-W32R-1156-LF

SERIES REEL LEADFREE
11+56 WAY
HIGH 3.2mm
90°SMT

DESCRIPTION: