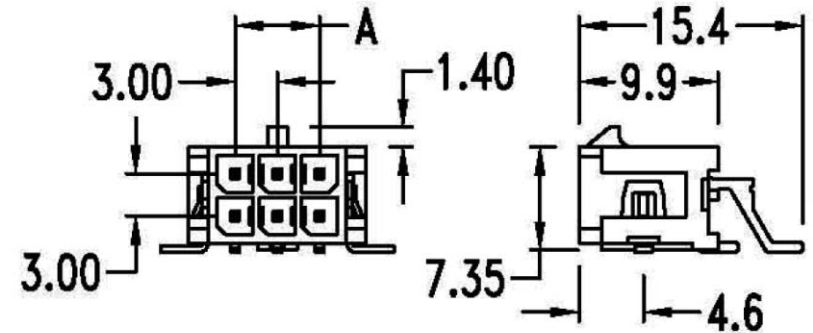
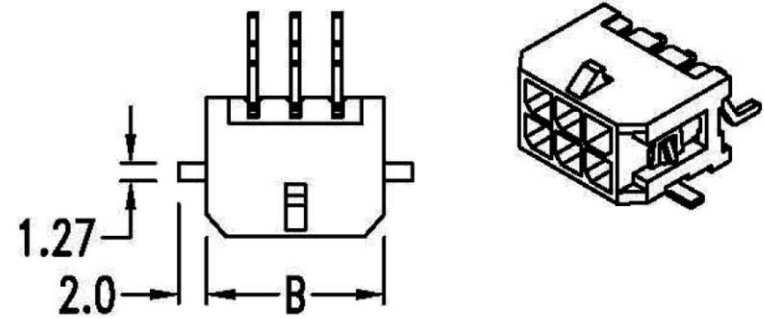


## Features:

- 2 ~ 24 circuits available
- Material: LCP
- Tin-plated brass pin

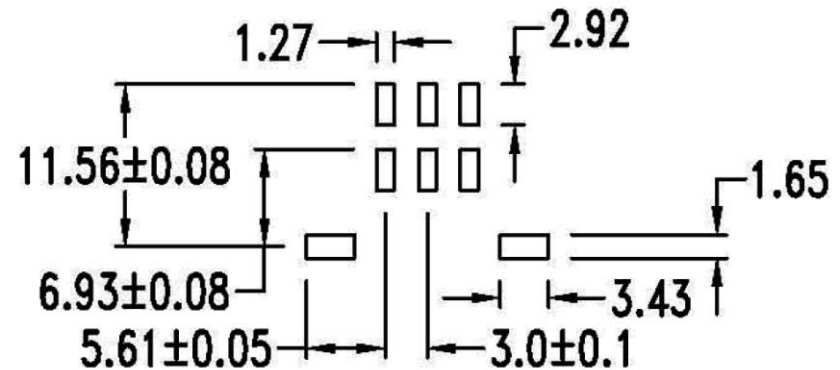
## Specification:

- Current rating: 5A AC, DC
- Voltage rating: 250V AC, DC
- Contact resistance: 10mΩ Max.
- Dielectric withstanding voltage: 1500V AC/minute
- Ambient temperature range: -25°C ~ 85°C



## Dimensional Information

| Circuits | Dim. A | Dim. B | Circuits | Dim. A | Dim. B | Circuits | Dim. A | Dim. B |
|----------|--------|--------|----------|--------|--------|----------|--------|--------|
| 2        |        | 6.65   | 6        | 6.0    | 12.65  | 10       | 12.0   | 18.65  |
| 4        | 3.0    | 9.65   | 8        | 9.0    | 15.65  | 12       | 15.0   | 21.65  |
| Circuits | Dim. A | Dim. B | Circuits | Dim. A | Dim. B | Circuits | Dim. A | Dim. B |
| 14       | 18.0   | 24.65  | 18       | 24.0   | 30.65  | 22       | 30.0   | 36.65  |
| 16       | 21.0   | 27.65  | 20       | 27.0   | 33.65  | 24       | 33.0   | 39.65  |



PCB Layout: Component side

RoHS Compliant

TOLERANCES ARE

**MORETHANALL**  
PCB CONNECTORS  
Cable ASSEMBLIES

煜倫股份有限公司

www.morethanall.com

DRAWING BY CY

CHECKED BY GENIUS

UNIT/ mm

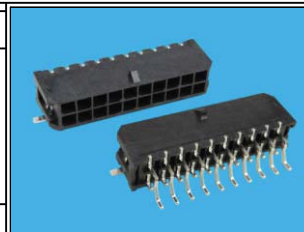
SCALE 1:1

DATE

SIZE A4

P PROJECTION

X. ±  
.X ±  
.XX ±  
.XXX ±  
ANG ±



## ORDER INFORMATION

MIF-PWE-2Xxx-LF  
SERIES | LEADFREE  
2X01:02WAY  
2X12:24WAY  
EAR  
90°SMT  
MALE

DESCRIPTION: