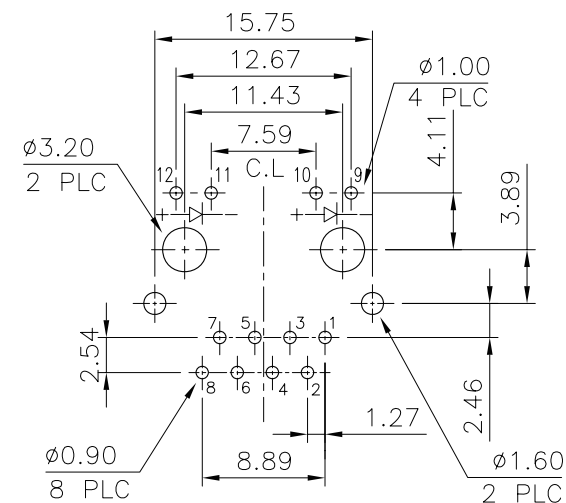
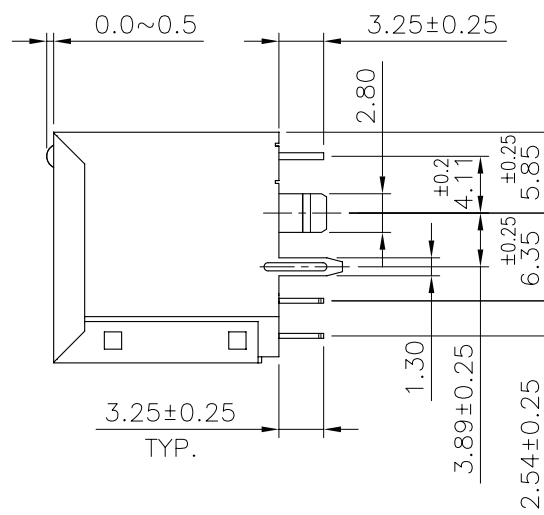
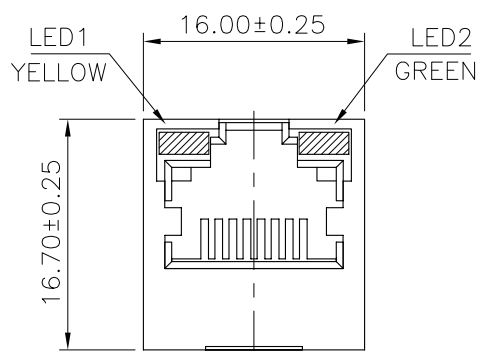


DETAIL X



PCB Layout Ref.

MATERIAL:
 • HOUSING—PBT POLYESTER UL94V-0 MIXED GLASS FIBER. STANDARD COLOR—BLACK
 • CONTACTS—0.35mm THICK PHOS-BRONZE PLATED WITH HARD GOLD AND GOLD FLASH IN SOLDER AREA.
 • SHIELD—0.25mm THICK COPPER ALLOY, PLATED WITH NICKEL.
 CAVITY CONFIRMS TO FCC RULES AND REGULATIONS PART 68,SUBPART F.

RoHS Compliant

TOLERANCES ARE

MORETHANALL
 PCB CONNECTORS
 Cable ASSEMBLIES

煜倫股份有限公司

www.morethanall.com

DRAWING BY CY

CHECKED BY GENIUS

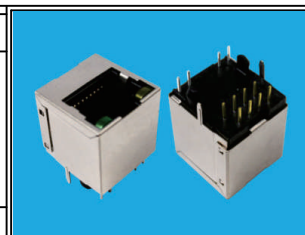
UNIT/mm SCALE 1:1

DATE

SIZE A4

X. ±
 .X ±
 .XX ±
 .XXX ±
 ANG ±

P PROJECTION



ORDER INFORMATION

MJDF17T25H-KX06B38YG-0808

SERIES BLACK LED1:YELLOW LED2:GREEN REAR TAB 3.89mm 06u" GOLD NON EAR 8P8C

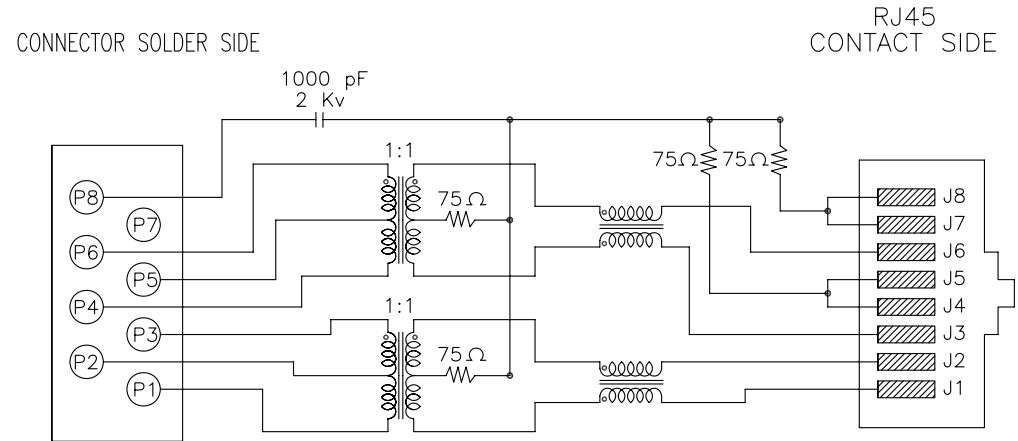
DESCRIPTION: RJ45, WITH LED'S, SHIELDED, WITH TRANSFORMER, FLAT PIN, TOP ENTRY PCB JACK

TRANSFORMER TYPE 1

ELECTRICAL CHARACTERISTICS

TEST NOTES: (25°±5°C)

1. TR: (100KHz, 0.1V)
PINS:(P6-P5-P4):(J6,J3)=1CT:1CT±3%
PINS:(P3-P2-P1):(J2,J1)=1CT:1CT±3%
2. INDUCTANCE: (@0.1V, 100KHz, 8mA, DC Bias)
PINS: (P6-P4),(P3-P1)=350uH MINIMUM
3. DCR:
PINS: (J6-J3)=(J2-J1)=1.2 OHMS MAXIMUM
4. HIPOT:
PINS(J1,J2)TO(P1,P3)=1500VAC FOR 60 SECONDS
PINS(J3,J6)TO(P4,P6)=1500VAC FOR 60 SECONDS
5. LEAKAGE INDUCTANCE:
P6-P4 (WITH J6 AND J3 SHORT)=0.3 MAXIMUM, @1MHz
P3-P1 (WITH J2 AND J1 SHORT)=0.3 MAXIMUM, @1MHz
6. INSERTION LOSS:
-1.1dB MAXIMUM AT 1MHz TO 100MHz
7. RETURN LOSS:
-18dB MINIMUM AT 1MHz TO 30MHz
-12dB MINIMUM AT 60MHz TO 80MHz
8. CROSS TALK:
-30dB MINIMUM AT 1MHz TO 100MHz
9. COMMON TO COMMON MODE ATTENUATION:
-35dB MINIMUM AT 30MHz TO 100MHz
10. RISE TIME: RS=100 OHMS AND RL=100 OHMS
OUTPUT VOLTAGE=1 V PEAK=3.0 nS MAXIMUM
PULSE WIDTH=112 nS=3.0 nS MAXIMUM
11. INTERWINDING CAPACITANCE:
(P6,P5,P4)TO(J6,J3)=30pF MAXIMUM, @1MHz
(P3,P2,P1)TO(J2,J1)=30pF MAXIMUM, @1MHz



CONNECTOR SCHEMATIC

MORETHANALL
PCB CONNECTORS
Cable ASSEMBLIES

煜倫股份有限公司

www.morethanall.com

RoHS Compliant

DRAWING BY CY

CHECKED BY GENIUS

UNIT/mm SCALE 1:1

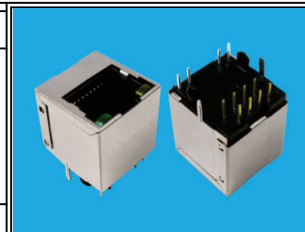
DATE

SIZE A4

TOLERANCES ARE

X. ±
.X ±
.XX ±
.XXX ±
ANG ±

PJECTION



ORDER INFORMATION

MJDF17T25H-KX06B38YG-0808

SERIES BLACK LED1 :YELLOW LED2 :GREEN 8P8C
REAR TAB 3.89mm
06u" GOLD
NON EAR

DESCRIPTION: TRANSFORMER TYPE 1