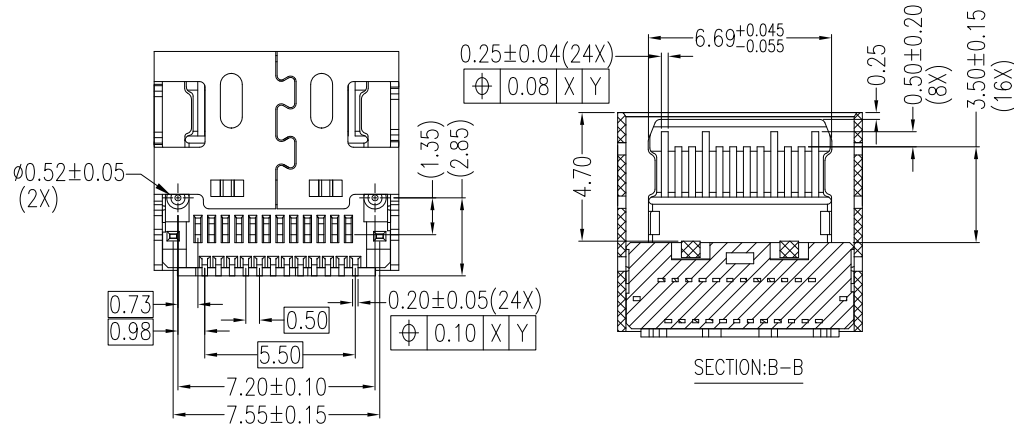
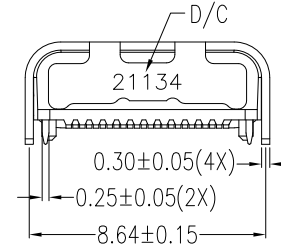
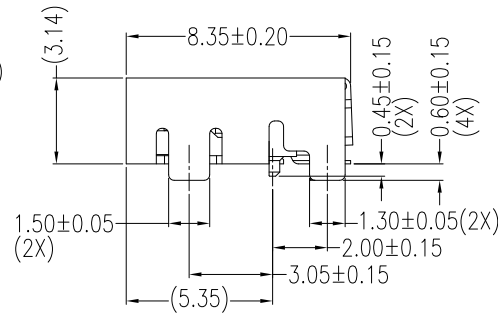
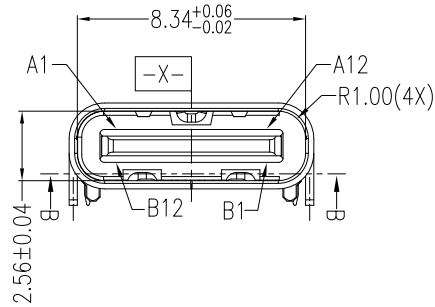
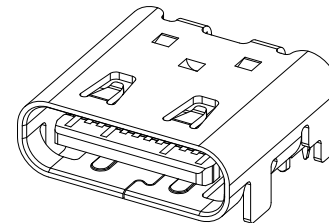


SECTION:A-A

DATE	CODE	DESCRIPTION
21	13	4
		Thursday
		13 Weeks
		Year



SECTION:B-B



NOTES:

***Material**

Housing: LCP, UL94 V-0;
 Contacts: Phosphor Bronze ;
 Plating: Au Plating On Contact Area;
 Sn(100u" Min.) Plating On Solder Tail;
 Ni(50u" Min.) Underplating Overall;
 Shell: SUS;
 Plating: Ni(50u" Min.) Plated Overall.
 Shielding Plate: SUS; Ni(50u" Min.) Plated Overall.

***Mechanical**

Insertion Force: 5~20N.
 Withdrawal Force: 8~20N.
 Durability: 10000 Cycles

***Electrical Specification**

Current Rating: Vbus pins 5A; CC2 pin 1.25A;
 Other pins 0.25A;
 Voltage Rating: 20V Max.
 Contact Resistance: 40mΩ Max.
 Insulation Resistance: 100MΩ Min.
 Dielectric Withstanding Voltage: 100V AC Min.

***Environmental**

Operating Temperature: -55°C To +85°C

PIN ASSIGNMENT:

Pin No.	Signal Name	Pin No.	Signal Name
A1	GND	B12	GND
A2	SSTXp1	B11	SSRXp1
A3	SSTXn1	B10	SSRXn1
A4	VBUS	B9	VBUS
A5	CC1	B8	SBU2
A6	Dp1	B7	Dn2
A7	Dn1	B6	Dp2
A8	SBU1	B5	CC2
A9	VBUS	B4	VBUS
A10	SSRXn2	B3	SSTXn2
A11	SSRXp2	B2	SSTXp2
A12	GND	B1	GND

RoHS Compliant

TOLERANCES ARE

MORETHANALL
 PCB CONNECTORS
 Cable ASSEMBLIES

DRAWING BY CY

CHECKED BY GENIUS

UNIT / mm

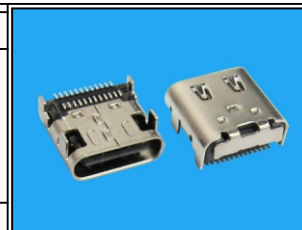
SCALE 1 : 1

DATE

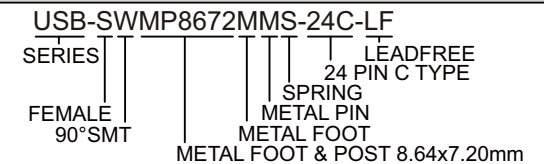
SIZE A4

PJECTION

X, ±
 .X ± 0.20
 .XX ± 0.10
 .XXX ± 0.05
 ANG ± 3°



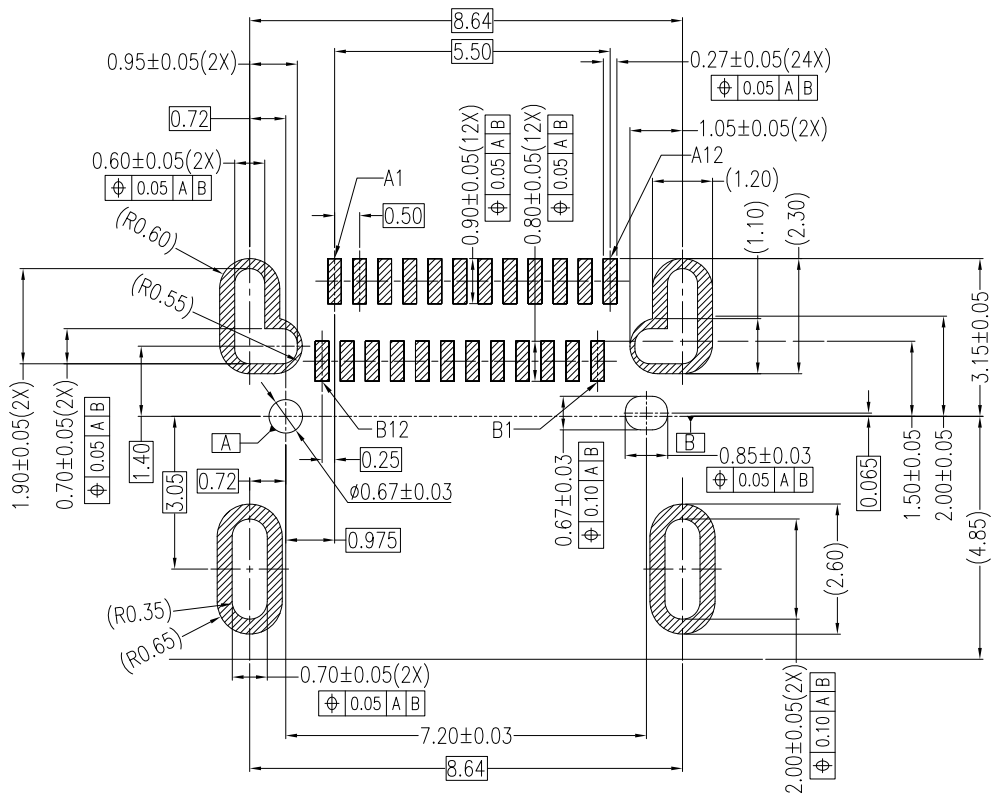
ORDER INFORMATION



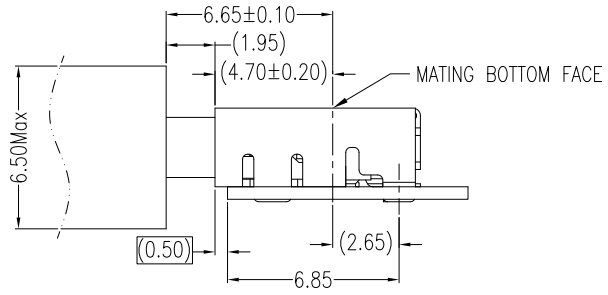
DESCRIPTION: USB4 Dual SMT CH1.57

煜倫股份有限公司

www.morethanall.com



P.C.B LAYOUT(T=0.80mm)(For PIP)
COMPONENT SIDE



MATED CONDITION(REF.)

RoHS Compliant

TOLERANCES ARE



煜倫股份有限公司

www.morethanall.com

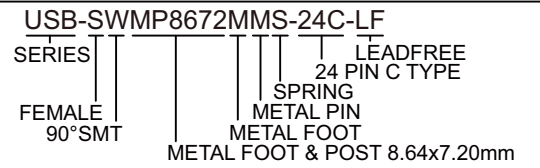
DRAWING BY CY
CHECKED BY GENIUS
UNIT / mm SCALE 1 : 1
DATE

X, ±
.X ± 0.20
.XX ± 0.10
.XXX ± 0.05
ANG ± 3°

SIZE A4 PROJECTION



ORDER INFORMATION



DESCRIPTION: USB4 Dual SMT CH1.57