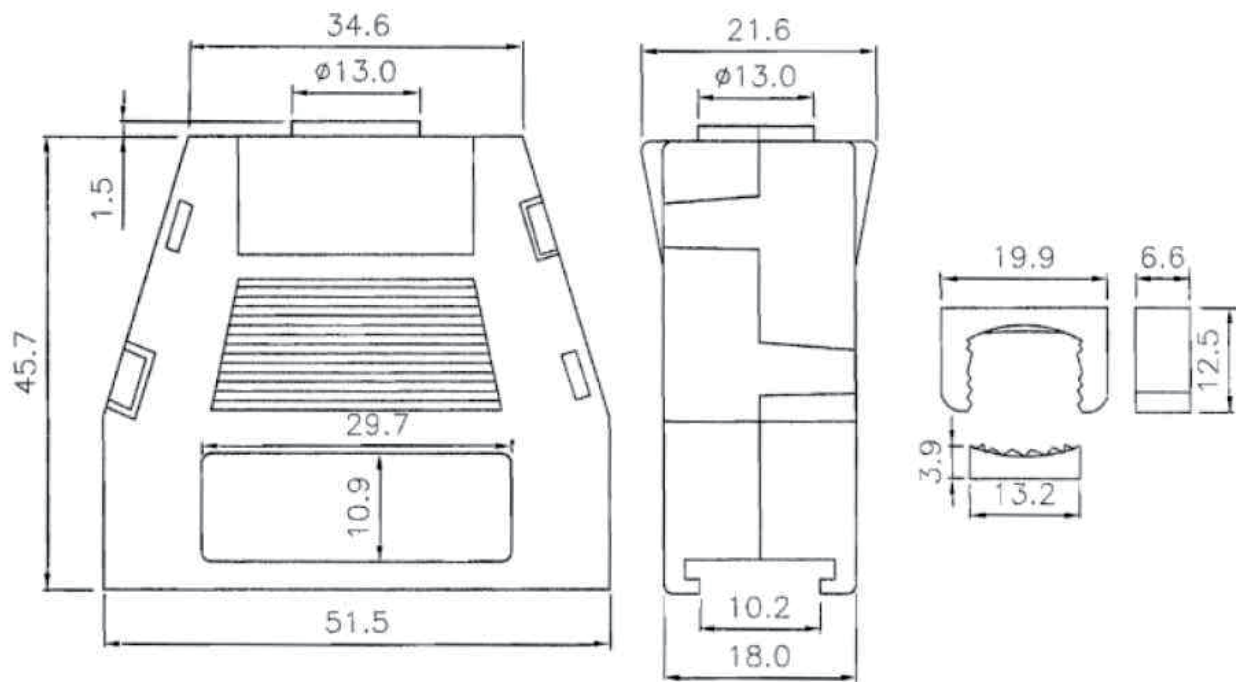


MATERIAL:
INSULATOR : ABS UL94HB
FINISHED :

INSULATOR COLOR
K=BLACK (黑色)
G=GREY (灰色)
B=BEIGE (貝吉色)
C=CHROMATE



PACKLIST : 500 SET/CTN NW:12.0G GW:13.0KG CUFT:2.04'

RoHS Compliant

TOLERANCES ARE

MORETHANALL
PCB CONNECTORS
Cable ASSEMBLIES

煜倫股份有限公司

www.morethanall.com

DRAWING BY CY

CHECKED BY GENIUS

UNIT/mm SCALE 1:1

DATE

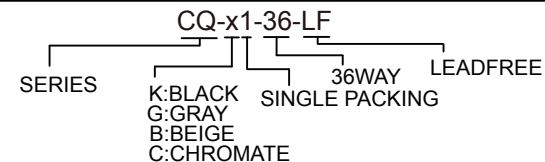
SIZE A4

X. ±
.X ±
.XX ±
.XXX ±
ANG ±

PJECTION



ORDER INFORMATION



DESCRIPTION: