

Signal Name	Segment Type
S1	GND
S2	A+
S3	A-
S4	GND
S5	B-
S6	B+
S7	GND

NOTES:

***Material**

Housing: LCP, UL94 V-0 Rated.
 Contact: Brass;
 Plating: Au plating on contact area;
 Sn(100u" Min.) plating on solder tail;
 Ni(50u" Min.) underplating overall.
 Board Lock: Brass;
 Plating: Sn (100u* Min.) underplating overall,
 Ni (50u* Min.) underplating overall.

***Mechanical**

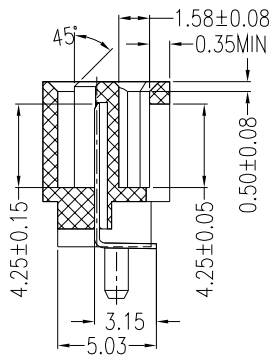
Insertion Force: 45N Max.
 Withdrawal Force: 10N Min.
 Durability: 500 Cycles.

***Electrical Specification**

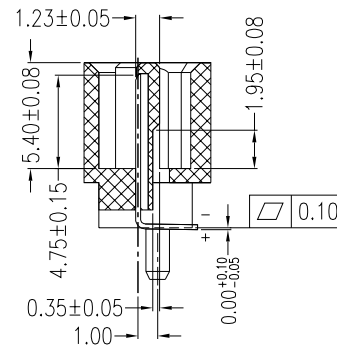
Current Rating: 1.5 Ampere Per Contact;
 Operation Voltage: 15V DC Max.
 Contact Resistance: 30mΩ Max.
 Insulation Resistance: 1000MΩ Min.
 Dielectric Withstanding Voltage: 500V AC.

***Environmental**

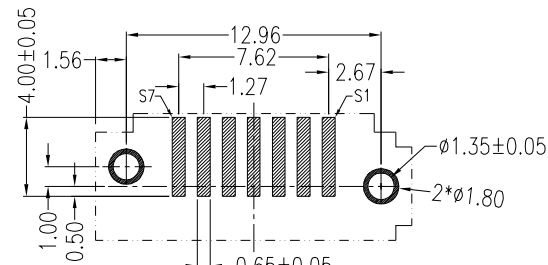
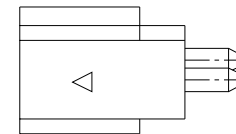
Operating Temperature: -55°C To +85°C.



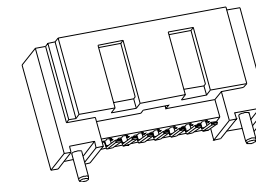
SECT B-B



SECT A-A



PCB Layout(T=1.60mm)
COMPONENT SIDE



RoHS Compliant

TOLERANCES ARE

MORETHANALL
PCB CONNECTORS
Cable ASSEMBLIES

DRAWING BY CY

CHECKED BY GENIUS

UNIT / mm

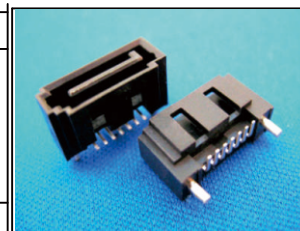
SCALE 1 : 1

DATE

SIZE A4

PPOJECTION

X, ±
 .X ± 0.35
 .XX ± 0.25
 .XXX ± 0.15
 ANG ±



ORDER INFORMATION

SATA-PVP1C-07L-LF
 SERIES | | | | | LEADFREE
 | | | | | L TYPE FOOT
 | | | | | 07 WAY
 MALE | | | | | C TYPE
 | | | | | POST
 | | | | | 180°SMT

煜倫股份有限公司

www.morethanall.com

DESCRIPTION: SATA 7P Straight DIP B Type Shield Rounded Copper Pole(Through Type) Male