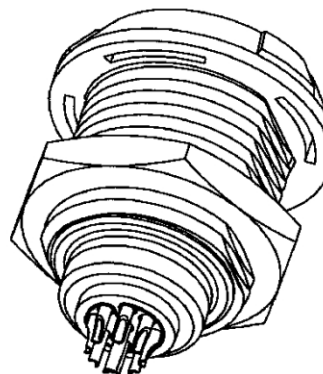
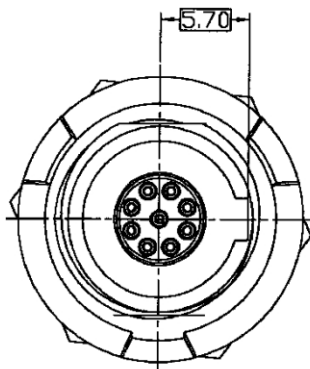
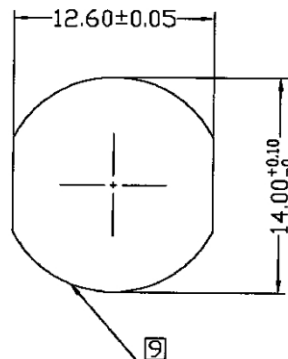
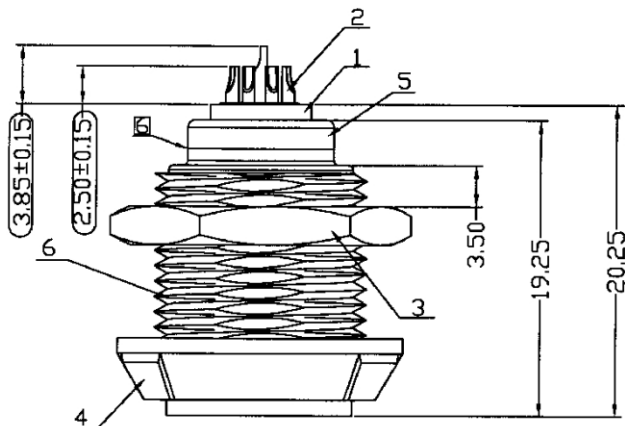


DESCRIPTION

6	RECEPTACLE HOUSING A TYPE
5	RECEPTACLE COVER
4	FRONT NUT
3	HEX NUT
2	CONTACT
1	INSERT
NO.	PART NAME



3D 參考圖

備注:  
(Remark)

- 1.材質: 外殼: PSU  
(Material: Shell: PSU)  
絕緣體: PEEK  
(Insert: PEEK)  
端子: 磷青銅  
(Contacts: Phospher Bronze)  
線夾: PSU  
(Cable collect: PSU)  
螺帽: PSU  
(Back Nut: PSU)  
金屬螺母: 黃銅  
(Nut: Brass)

2.所有的尺寸都以毫米為單位  
(Dimensions in "mm")

3.符合ROHS  
(RoHS compliant)

4.以Q做標識的尺寸需經QC制程管制  
(QC control item "Q")

5.芯數: 02.04.05.06.07.08.09.10.14芯  
(available pol- 2, 4, 5, 6, 7, 8, 9, 10, 14)

Q6 超音波焊接處的破壞力最小是10kg  
(Ultrasonic welding solder force: 10kg min.)

Q7 螺母的扭力是1.5Nm  
(screw torque: 1.5Nm)

Q8 (與公端成品)插拔力為2kg  
(mating/unmating force: 2kg)

9 安裝孔的尺寸  
(Recommended Panel Cutout)

△10. solder temperature: 350±5°C, 2 Seconds

RoHS Compliant

TOLERANCES ARE

**MORETHANALL**  
PCB CONNECTORS  
Cable ASSEMBLIES

煜倫股份有限公司

www.morethanall.com

DRAWING BY CY

CHECKED BY GENIUS

UNIT / mm SCALE 1:1

DATE

SIZE A4

X, ±

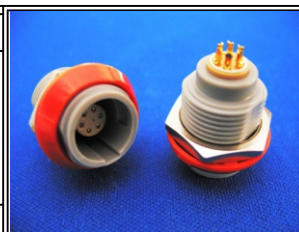
.X ±

.XX ±

.XXX ±

ANG ±

P PROJECTION



ORDER INFORMATION

PP9-SSPAN-xx-LF  
SERIES | LEADFREE  
| | 02~14WAY  
| | NUT  
| | PANEL FRONT  
| | SOLDER  
| | FEMALE

DESCRIPTION: