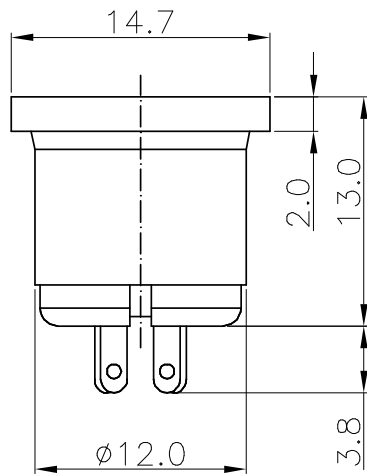


RECOMMEND PANEL CUT-OUT



5	COVER	1	PBT	BLACK
4	WASHER	1	BRASS	Ni PLATED
3	SHELL	1	BRASS	Ni PLATED
2	CONTACT FOOT	4	PHOSPHOR BRONZE	Sn PLATED
1	HOUSING	1	PBT	BLACK
LTR	PART NAME	QTY	MATERIAL	REMARK

UNLESS OTHERWISE SPECIFIED, TOLERANCE ON DECIMAL: ± 0.3

RoHS Compliant

TOLERANCES ARE

MORETHANALL
PCB CONNECTORS
Cable ASSEMBLIES

DRAWING BY CY

X.±

CHECKED BY GENIUS

.X±

UNIT / mm

SCALE 1:1

.XX±

DATE

.XXX±

ANG±

煜倫股份有限公司

www.morethanall.com

SIZE A4

PJECTION



ORDER INFORMATION

MDP-JSPEM-04-LF

SERIES | | | | LEADFREE
| | | | 04 WAY
| | | | METAL
| | | | PANEL EAR
| | | | SOLDER
| | | | JACK

DESCRIPTION: POWER DIN SOCKET